

# Installation Instructions

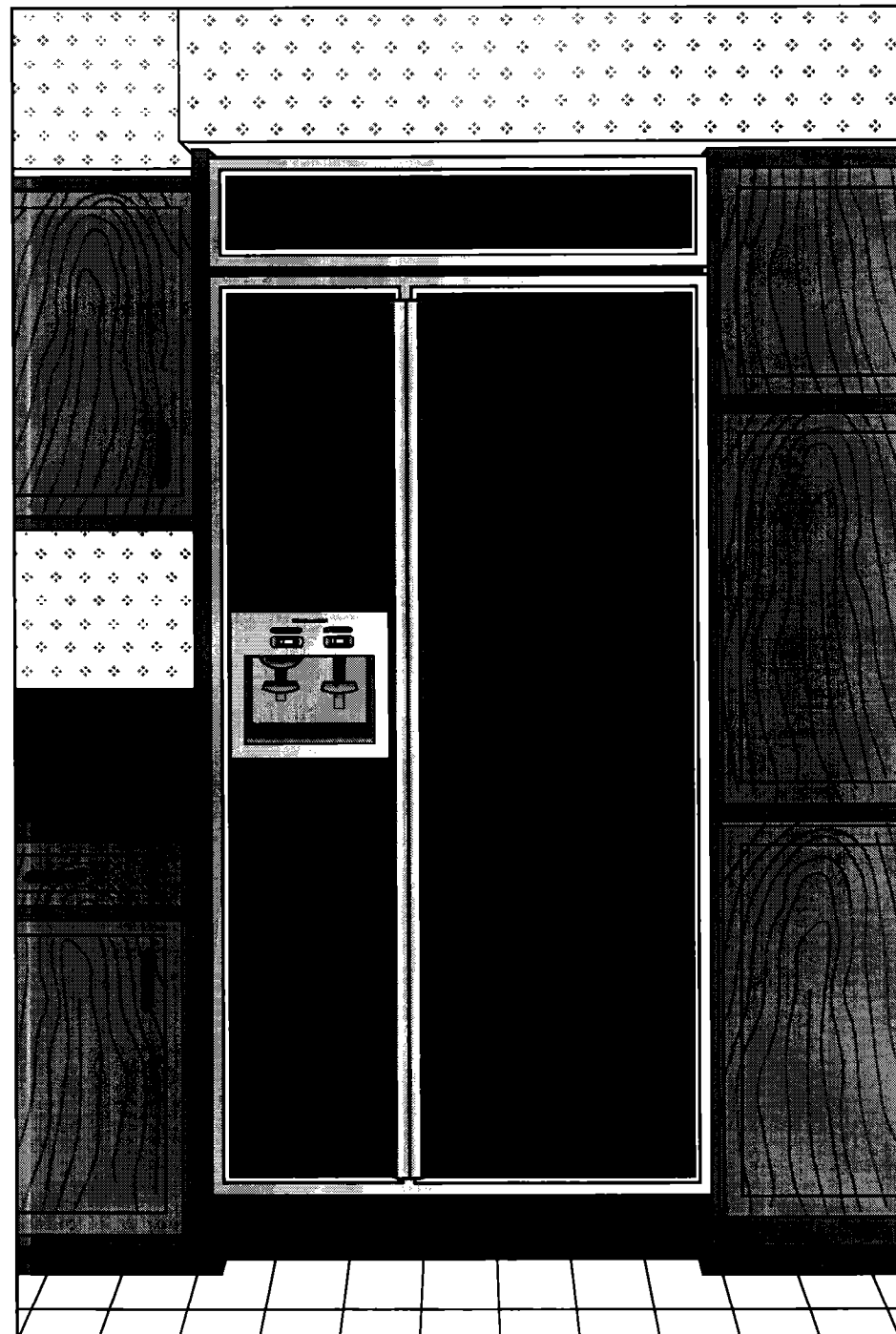
36" (91 cm),  
42" (106 cm)  
and 48" (122 cm)  
Built-In  
Refrigerators

**Important:**  
Read and save  
these instructions.

**Installation  
requires 2 or more  
people.**

**Important:**

- **Installer:** Leave Installation Instructions with the homeowner.
- **Homeowner:** Keep Installation Instructions for future reference.
- **Save** these Installation Instructions for the local electrical inspector's use.



Part No. 2003757

**KitchenAid**<sup>®</sup>  
HOME APPLIANCES

# Before you start...

## ⚠ WARNING

### Injury Hazard

Because of the weight and size of the refrigerator, two or more people are required to install it. Most of the refrigerator's weight is at the top. Extra care is needed when moving the refrigerator to prevent tipping. Failure to follow these instructions could result in injury.

Keep cardboard shipping piece or plywood under refrigerator until it is installed in the operating position to protect floor covering.

**Important:**  
Observe all governing codes and ordinances.

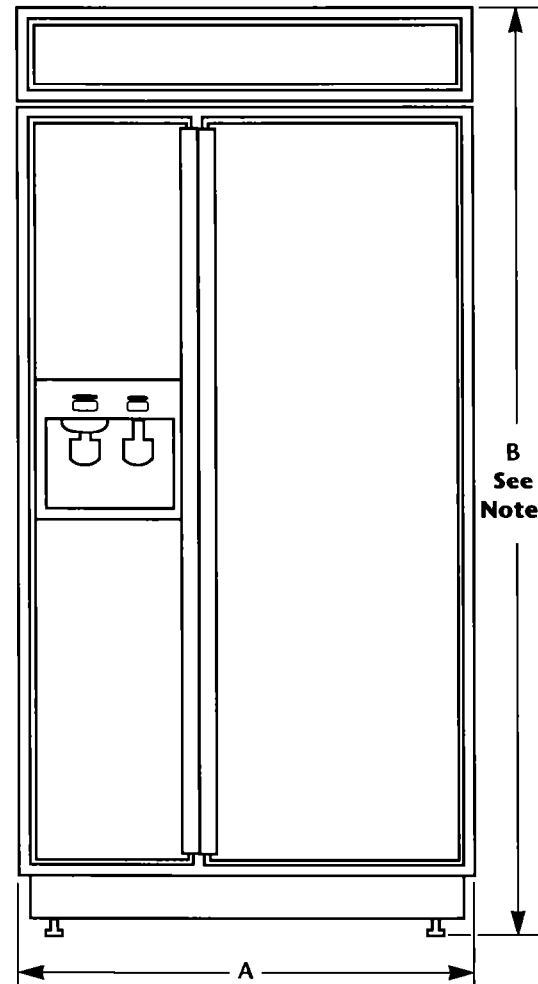
It is your responsibility to:

- Comply with installation specifications and dimensions.
- Properly install refrigerator.
- Make sure that you have these materials necessary for proper installation:
  - 1/4" (6 mm) copper tubing with shutoff valve
  - 1/4" (6 mm) compression fitting
  - 6 - #8 x 3" (7.6 cm) wood screws (Longer screws may be required.)
  - 2 - 2" x 4" x 32" (5 cm x 10 cm x 81 cm) min. wood boards (See Page 4.)
  - T-15 Torx drive and bit
- Assure that floor will support refrigerator weight (more than 600 lb./272 kg.), door panels, and contents.
- Provide a properly grounded electrical outlet.
- Assure that location will permit appliance doors to open 90° minimum.

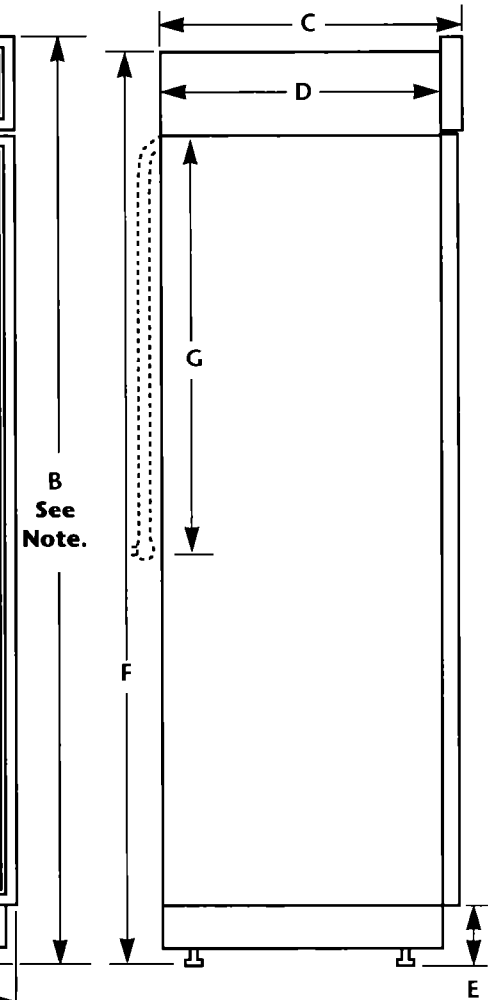
\* Dimensions shown are for levelers extended 1/8" (3 mm) below rollers. For levelers fully extended 1-1/4" (32 mm) below rollers, add 1-1/8" (29 mm) to this dimension.

## Product Dimensions

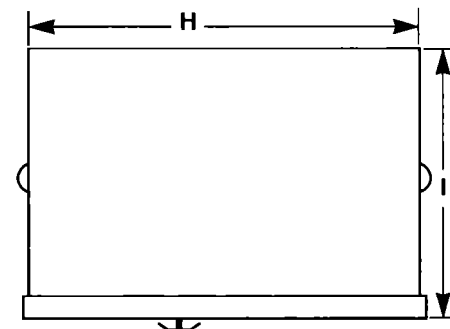
### Front View



### Side View



### Top View



#### Note:

The "B" dimension can be increased or decreased 1/2 in. (1.3 cm) by using Grille Kits available from your dealer.

**To increase:** use "84-inch" Grille Kit No. 4378788 (Silver Trim) or 4378789 (White Trim).

**To decrease:** use "83-inch" Grille Kit No. 4378786 (Silver Trim) or 4378787 (White Trim).

Dispenser and Non-Dispenser Models			
	36" (91 cm)	42" (106 cm)	48" (122 cm)
A	36" (91 cm)	42" (106 cm)	48" (122 cm)
B	83-5/8" (212 cm)*	83-5/8" (212 cm)*	83-5/8" (212 cm)*
C	25-1/8" (64 cm)	25-1/8" (64 cm)	25-1/8" (64 cm)
D	23-1/2" (60 cm)	23-1/2" (60 cm)	23-1/2" (60 cm)
E	3-1/2" (9 cm)*	3-1/2" (9 cm)*	3-1/2" (9 cm)*
F	83-1/8" (211 cm)*	83-1/8" (211 cm)*	83-1/8" (211 cm)*
G	24" (61 cm)	24" (61 cm)	24" (61 cm)
H	35" (89 cm)	41" (104 cm)	47" (119 cm)
I	25" (63.5 cm)	25" (63.5 cm)	25" (63.5 cm)

## Built-in opening requirements & dimensions

All dimensions  $\pm 1/8"$  (3 mm)

### **! WARNING**

#### Injury Hazard

Special care should be taken at all times to prevent refrigerator from tipping, as it is top heavy.

A solid soffit or two, 2" x 4" x 32" (5 cm x 10 cm x 81 cm) wood boards to cover the width of the compressor cover are required above the refrigerator to prevent tipping during use.

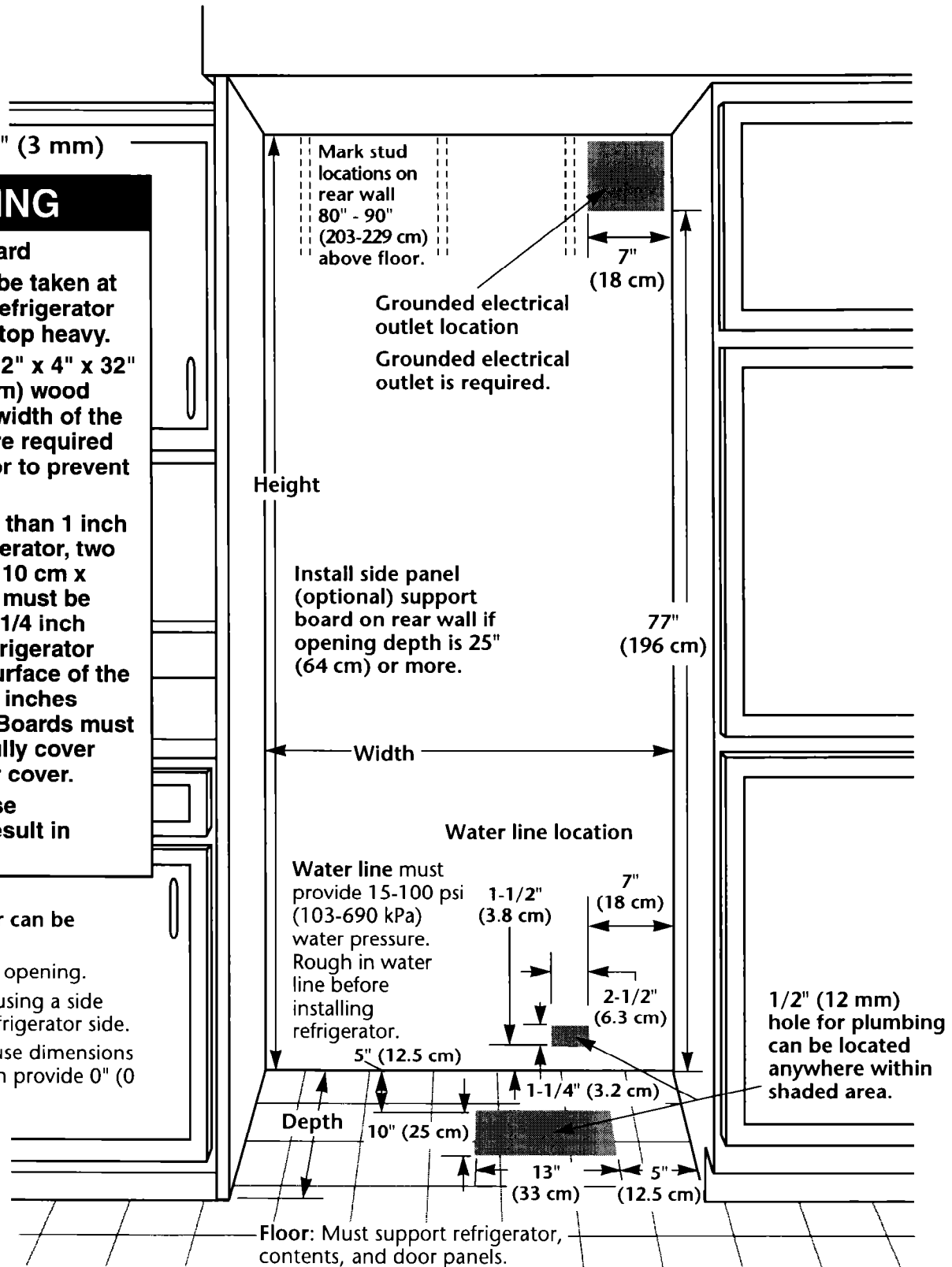
If solid soffit is more than 1 inch (2.5 cm) above refrigerator, two 2" x 4" x 32" (5 cm x 10 cm x 81 cm) wood boards must be installed on the wall 1/4 inch (6 mm) above the refrigerator cover. The bottom surface of the boards should be 84 inches (213 cm) from floor. Boards must be long enough to fully cover width of compressor cover.

Failure to follow these instructions could result in injury.

The built-in refrigerator can be installed:

- recessed in the cabinet opening.
- at the end of cabinets using a side panel to enclose the refrigerator side.

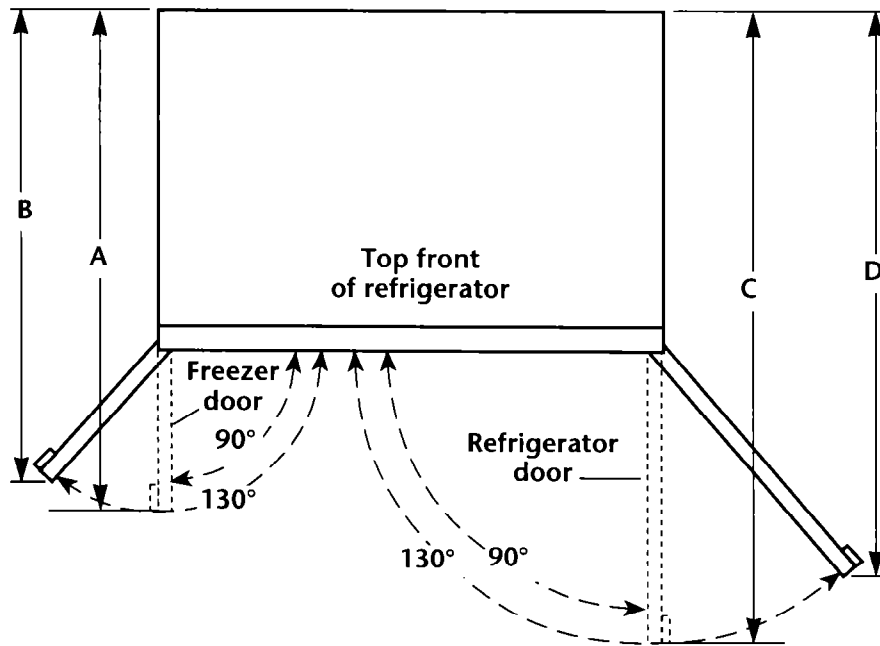
Select one method and use dimensions given. Dimensions shown provide 0" (0 cm) clearance.



### Opening dimensions

Model	36" (91 cm)	42" (106 cm)	48" (122 cm)
Width min.	35-1/2" (90 cm)	41-1/2" (105 cm)	47-1/2" (120 cm)
Height min.	83-1/4" (211.5 cm)	83-1/4" (211.5 cm)	83-1/4" (211.5 cm)
Height max.	84-3/4" (215 cm)	84-3/4" (215 cm)	84-3/4" (215 cm)
Depth min.	23-1/2" (60 cm)	23-1/2" (60 cm)	23-1/2" (60 cm)

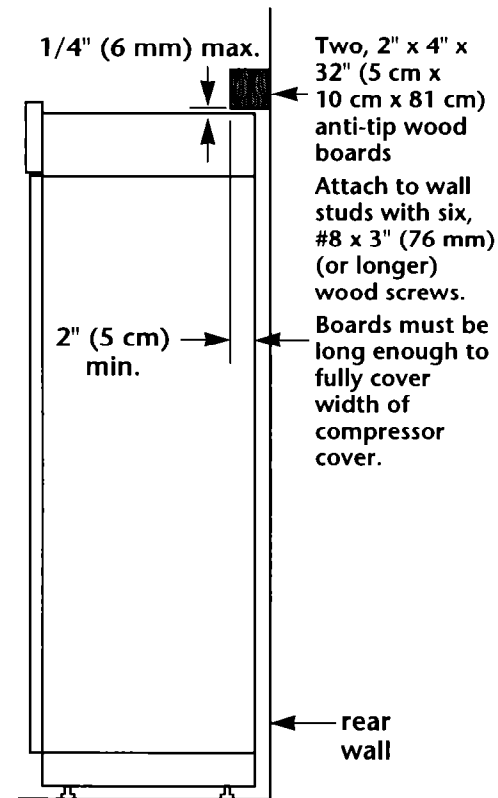
## Door swing dimensions



	36" (91 cm)	42" (106 cm)	48" (122 cm)
A	38-1/2" (98 cm)	41" (104 cm)	43-1/2" (110 cm)
B	36-1/16" (92 cm)	38" (97 cm)	40" (102 cm)
C	43-1/2" (110 cm)	47" (119 cm)	50-1/2" (128 cm)
D	40" (102 cm)	42-9/16" (108 cm)	45-1/4" (115 cm)

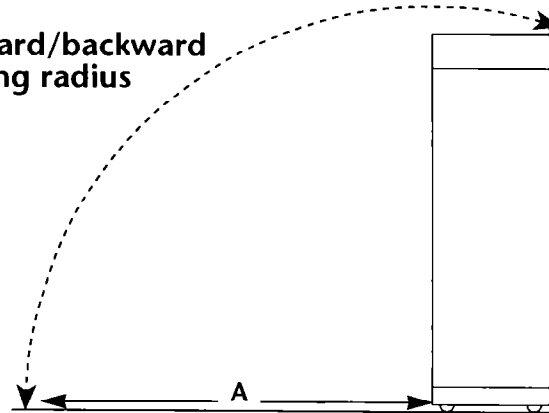
Location must permit doors to open to 90° min. Allow 1 inch (2.5 cm) min. space between refrigerator side and corner wall.

## Anti-tip requirements

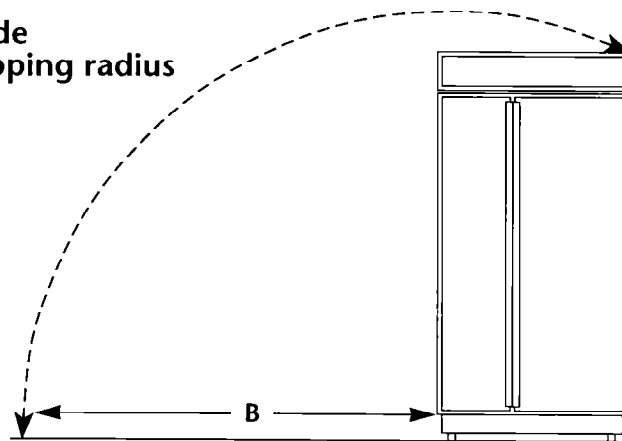


## Tipping radius

Forward/backward  
tipping radius



Side  
tipping radius



Size	A	B
36" (91 cm)	87-1/4" (222 cm)	90-1/2" (230 cm)
42" (106 cm)	87-1/4" (222 cm)	93" (236 cm)
48" (122 cm)	87-1/4" (222 cm)	96" (244 cm)

If boards are placed before installation of refrigerator, locate boards so the bottom surface of the boards are 84 inches (213 cm) from the floor. During installation, raise the refrigerator up so there is 1/4 inch (6 mm) maximum between top of refrigerator and bottom of anti-tip boards.

If solid soffit is 1 inch (2.5 cm) above refrigerator, anti-tip wood boards are not required.

If solid soffit is not available or soffit is more than 1 inch (2.5 cm) above cover, center wood boards on rear wall 1/4 inch (6 mm) maximum above refrigerator. Attach wood boards to wall studs with wood screws — making sure that screws are engaged in wall studs 1-1/2 inch (3.8 cm) minimum and that boards extend 2 inches (5 cm) minimum over the top rear of refrigerator compressor cover.

# Parts that must be ordered separately or custom made

## 1. Panel kits

Four kits, containing colored acrylic or stainless steel door and top grille panels, are available through your

KitchenAid dealer. Follow the kit instructions for installing the panels.

## Panel Kit Numbers

Model	Non-dispenser			Dispenser		
	36" (91 cm)	42" (106 cm)	48" (122 cm)	36" (91 cm)	42" (106 cm)	48" (122 cm)
White	4318635	4318636	4318637	4378650	4378651	4378652
Black	4318632	4318633	4318634	4378653	4378654	4378655
Almond	4318638	4318639	4318640	4378656	4378657	4378658
Stainless Steel	4318641	4318642	4318643	4378659	4378660	4378661

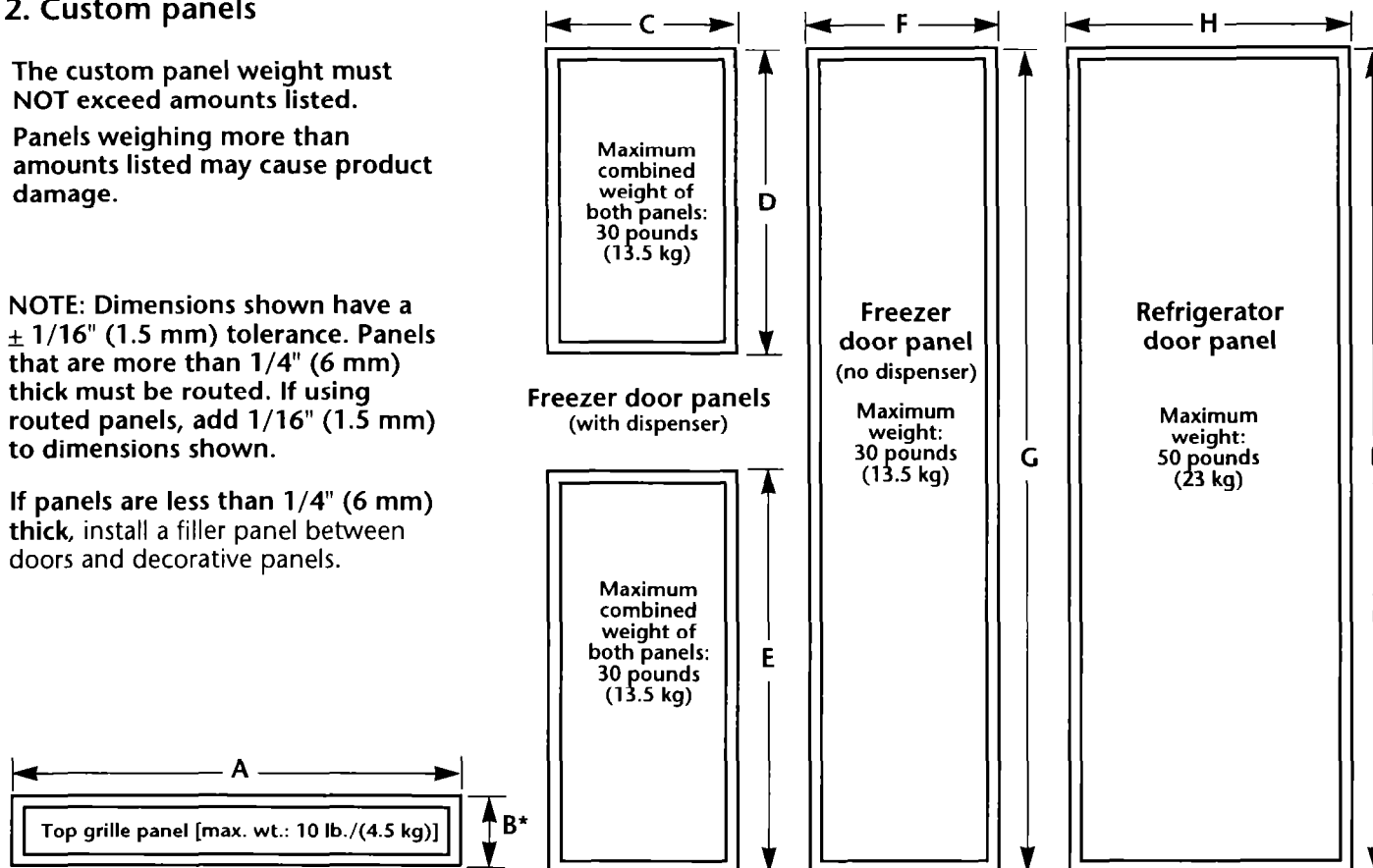
## 2. Custom panels

The custom panel weight must NOT exceed amounts listed.

Panels weighing more than amounts listed may cause product damage.

NOTE: Dimensions shown have a  $\pm 1/16"$  (1.5 mm) tolerance. Panels that are more than  $1/4"$  (6 mm) thick must be routed. If using routed panels, add  $1/16"$  (1.5 mm) to dimensions shown.

If panels are less than  $1/4"$  (6 mm) thick, install a filler panel between doors and decorative panels.

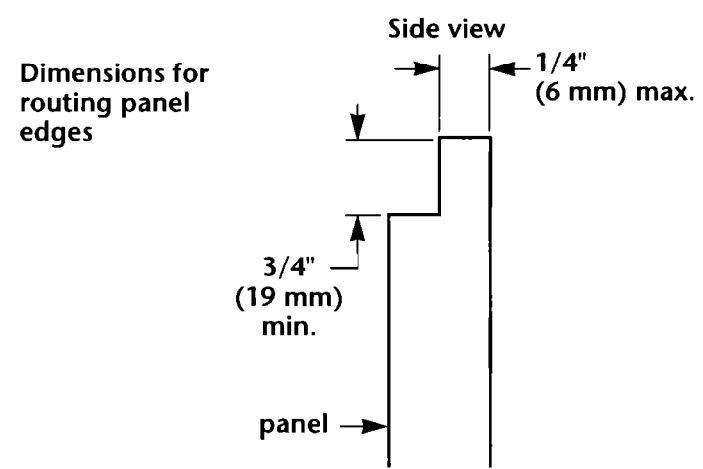
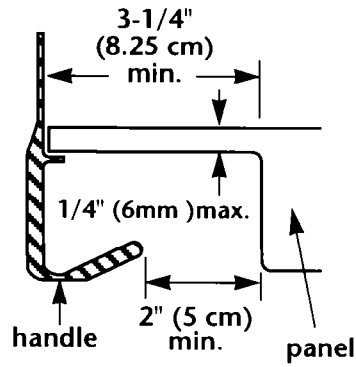


Size	A	B*	C	D	E	F	G	H	I
36" (91 cm)	32-3/8" (82 cm)	6" (15 cm)	14-1/4" (36 cm)	23-7/16" (60 cm)	34-7/16" (87 cm)	14-1/4" (36 cm)	70-7/16" (179 cm)	19-1/4" (49 cm)	70-7/16" (179 cm)
42" (106 cm)	38-3/8" (97 cm)	6" (15 cm)	16-3/4" (43 cm)	23-7/16" (60 cm)	34-7/16" (87 cm)	16-3/4" (43 cm)	70-7/16" (179 cm)	22-3/4" (58 cm)	70-7/16" (179 cm)
48" (122 cm)	44-3/8" (113 cm)	6" (15 cm)	19-1/4" (49 cm)	23-7/16" (60 cm)	34-7/16" (87 cm)	19-1/4" (49 cm)	70-7/16" (179 cm)	26-1/4" (67 cm)	70-7/16" (179 cm)

\*Dimension "B" will increase or decrease  $1/2"$  (1-3 cm) if grille kits listed on page are used.

**End view of handle side of panel**

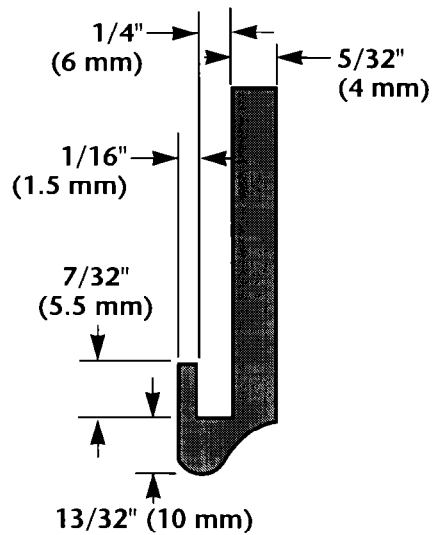
Custom panels more than 1/4" (6 mm) thick:  
Route entire length or selected areas of handle side of panels 3-1/4" (8.25 cm).



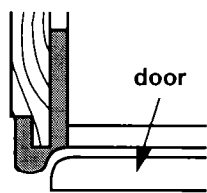
### 3. Side panels

If side panel will be installed inside side trim and the side panel is more than 1/4" (6 mm) thick, route front edge of panel to fit trim piece.

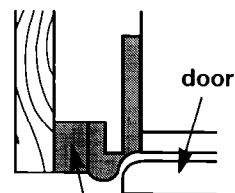
**End view of side trim piece**



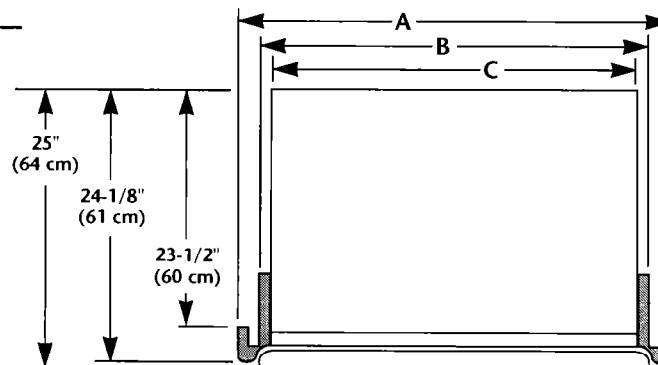
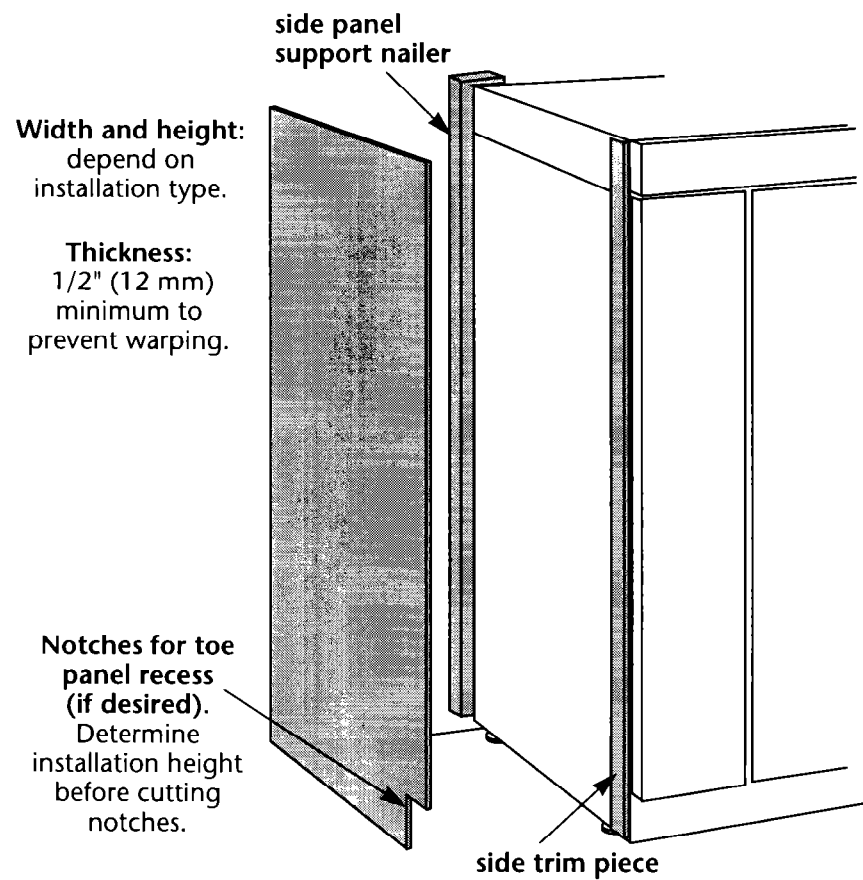
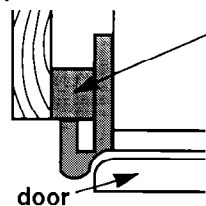
side panel inside side trim piece.



side panel outside side trim piece.



side panel outside side trim piece and recessed.



Model	36" (91 cm)	42" (106 cm)	48" (122 cm)
A	36" (91 cm)	42" (106 cm)	48" (122 cm)
B	35-1/2" (90 cm)	41-1/2" (105 cm)	47-1/2" (120 cm)
C	35" (89 cm)	41" (104 cm)	47" (119 cm)

# Electrical & Water Supply Requirements

## Electrical Requirements

### ⚠️ WARNING



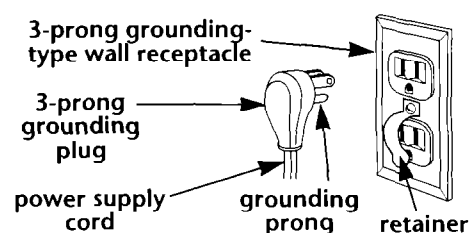
**Electrical Shock Hazard**  
**Electrical ground is required.**  
**Do Not ground to gas pipe.**  
**Do Not change the power supply cord plug. If it does not fit the outlet, have a proper outlet installed by a qualified electrician.**

**Do Not have a fuse in the neutral or grounding circuit.**  
**Do Not use an extension cord.**  
**Check with a qualified electrician if you are not sure the appliance is properly grounded.**

**It is the customer's responsibility:**  
**To contact a qualified electrical installer.**

**To assure that the electrical installation is adequate and in conformance with the National Electrical Code, ANSI/NFPA 70 — latest edition\*\* or Canadian Electrical Code, C22.1-1982 and C22.2 No. 01982 (or latest edition)\*, and all local codes and ordinances.**

If codes permit and a separate grounding wire is used, it is recommended that a qualified electrician determine that the grounding path is adequate.



A 120-volt, 60-Hz, AC-only, 15- or 20-ampere, fused, electrical supply is required. A time-delay fuse or circuit breaker is recommended. It is recommended that a separate circuit serving only this appliance be provided.

This appliance is equipped with a power supply cord having a 3-prong grounding plug. To minimize possible shock hazard, the cord must be plugged into a mating 3-prong, grounding-type wall receptacle, grounded in accordance with the National Electrical Code, ANSI/NFPA 70 — latest edition\*\* or Canadian Electrical Code, C22.1-1982 and C22.2 No. 01982 (or latest edition)\*, and all local codes and ordinances.

Copies of the standard listed may be obtained from:

\* Canadian Standard Association  
 178 Rexdale Boulevard  
 Etobicoke, Ontario M9W 1R3

\*\* National Fire Protection Association  
 Batterymarch Park  
 Quincy, Massachusetts 02269

## Water Supply Requirements

### ⚠️ WARNING



**Electrical Shock Hazard**  
**Some water may remain in line. Electric drill must be grounded to prevent severe or lethal shock if water is in line and enters drill during use.**  
**Failure to follow this instruction can result in death or electrical shock.**

To prevent property or product damage:

- Use only 1/4" (6 mm) copper tubing for water line.
- Do Not install copper tubing in area where temperatures drop below 32°F (0°C).
- Before attaching copper tubing to refrigerator, flush at least 2 quarts (1.9 L) of water through the copper tubing and into a bucket to get rid of any particles in the water line.
- Do Not overtighten clamp or sleeve. This will crush copper tubing.
- Check for leaks around saddle

Water line to refrigerator must provide 15-100 psi (103-690 kPa) water pressure.

**To calculate length of 1/4" (6 mm) O.D. copper tubing needed:**

1. Locate a vertical 1/2" (1.2 cm) to 1-1/4" (3.2 cm) COLD water line near refrigerator area. A horizontal COLD water line can be used if directions in Step 4 are carefully followed.

2. Measure distance from cold water line to refrigerator area. Add 24" (61 cm) to this measurement.

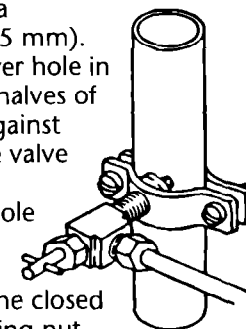
**To rough in water line:**

3. Turn OFF main water supply. Turn ON nearest faucet long enough to clear line of water.

4. **Vertical cold water line:** Use grounded electric drill or hand drill to drill 3/16" (4.5 mm) hole in an easily accessible location in water line.

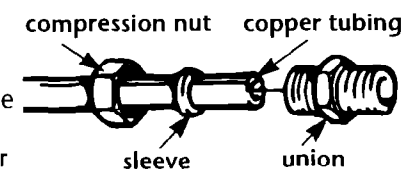
**Horizontal cold water line:** Use grounded electric drill or hand drill to drill 3/16" (4.5 mm) hole in the top of the water line. This will keep sediment from collecting in valve.

5. Position washer over hole in water line. Turn saddle valve handle clockwise to expose piercing lance a maximum of 3/16" (4.5 mm). Align piercing lance over hole in water line. Place both halves of saddle valve bracket against water line. Turn saddle valve handle clockwise until piercing lance enters hole in water line and is firmly seated. The saddle valve is not in the closed position. Tighten packing nut. Evenly and firmly tighten bracket screws so washer will make a water-tight connection. **Do Not overtighten screws; copper tubing could be crushed.**



6. Check that both ends of copper tubing are cut square. Slide compression nut and sleeve onto copper tubing. Insert end of copper tubing completely into valve outlet. Tighten compression nut to outlet with adjustable wrench. **Do Not overtighten.**

7. Turn on main water supply. Check for leaks. Turn saddle valve handle counterclockwise and run water through copper tubing and into a bucket. Turn saddle valve handle clockwise to shut off water to copper tubing.



8. Route copper tubing to refrigerator area.  
 9. Slide compression nut and sleeve over the water line. Connect union to compression nut and sleeve and tighten. **Do Not overtighten.** Page 7

# Installation Steps

## Parts supplied for installation:

- base grille
- miscellaneous parts bag

Check that all parts were included.

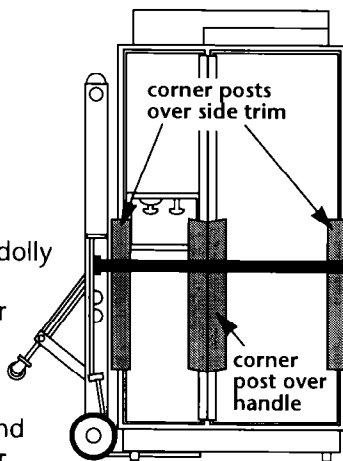
## To prevent damage to product or floor covering:

- **Do Not lower the refrigerator against the shipping base when removing the shipping base.**
- **Do Not remove protective film until refrigerator is in operating position.**
- **All four leveling legs must contact the floor to support and stabilize the full weight of the refrigerator.**
- **Keep cardboard shipping piece or plywood under refrigerator until it is installed in operating position.**

**1.** Remove and save literature package and parts bag taped to refrigerator door. Remove four brackets (two on each side) attaching shipping base to refrigerator bottom. **Do Not remove tape and door bracing until product is secured in final location. See Page 3.**

**2.** Place appliance dolly under refrigerator side and loosely wrap dolly strap around refrigerator.

Insert carton corner posts between strap and refrigerator at side trim pieces and handles. Carefully tighten strap making sure side trim and handles are protected.



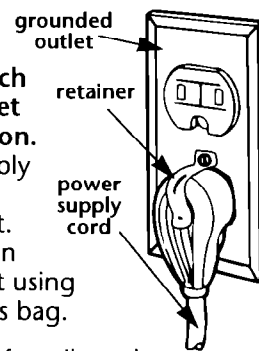
## ! WARNING

### Injury Hazard

Because of the weight and size of the refrigerator, two or more people are required to install it. Most of the refrigerator's weight is at the top. Extra care is needed when moving the refrigerator to prevent tipping. Failure to follow these instructions could result in injury.

**3.** Place sections of shipping carton on the floor when rolling dolly and refrigerator into the house. Move refrigerator close to built-in opening.

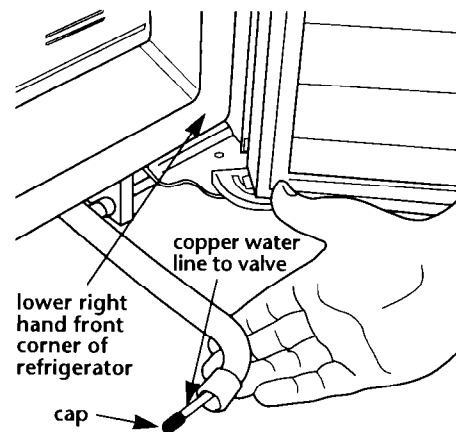
**4.** Set power switch at top of cabinet to "OFF" position. Plug power supply cord into grounded outlet. Install retainer on grounded outlet using screw from parts bag.



**5.** Place top of cardboard carton or plywood under refrigerator. Remove dolly. Open appliance doors and remove all boxes, parts packages and packing materials from refrigerator and freezer compartments. Do Not remove protective film.

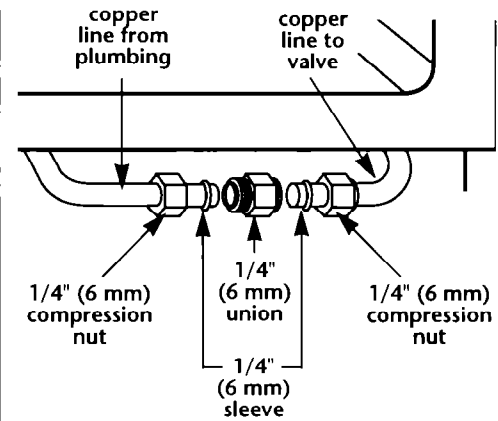
Move the refrigerator straight back and evenly into the opening. Check that:

- copper tubing is not kinked.
- power supply cord is on top of refrigerator next to cover.



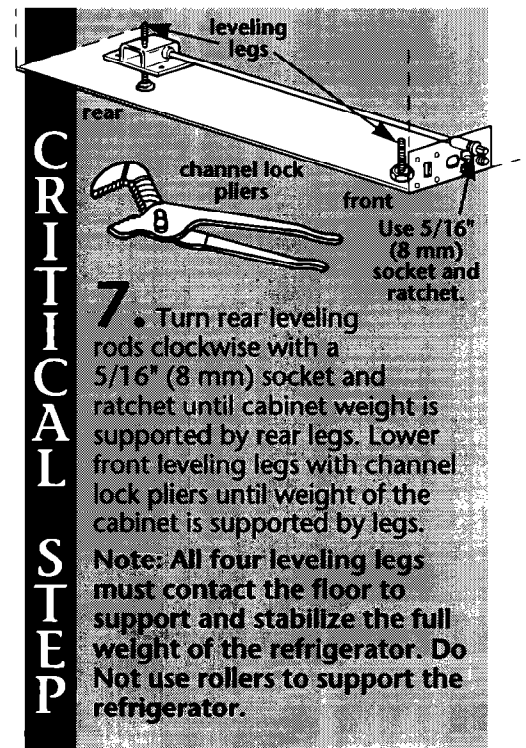
Check that water supply line has been flushed. See Page 7.

**6.** Pull copper line from refrigerator water valve and copper line from plumbing forward from underneath refrigerator. Remove cap from water line.



Slide a compression nut and sleeve on open end of each copper line. Use a copper tubing union to connect both copper lines. **Do Not overtighten.**

Turn water supply valve to "OPEN" position. Turn refrigerator switch "ON." Wait a few minutes. Check water line connection and water valve on top of cabinet for leaks. Without kinking the tubing, carefully place it back underneath cabinet.



**7.** Turn rear leveling rods clockwise with a 5/16" (8 mm) socket and ratchet until cabinet weight is supported by rear legs. Lower front leveling legs with channel lock pliers until weight of the cabinet is supported by legs.

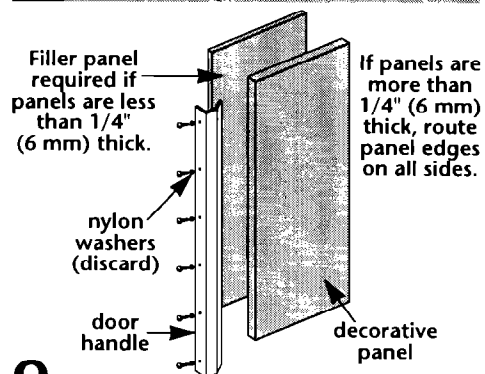
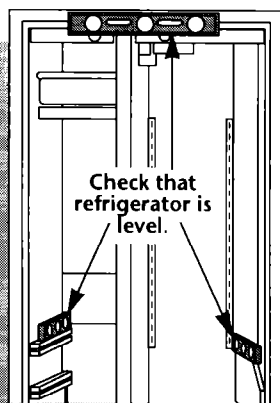
**Note:** All four leveling legs must contact the floor to support and stabilize the full weight of the refrigerator. Do Not use rollers to support the refrigerator.

**CRITICAL STEP**



**CRITICAL STEP**

**8.** Open doors. Place a level against underside of door trim, on refrigerator crisper guide and on freezer basket guide as shown. Adjust front leveling legs and right and left rear leveling rods until refrigerator is level and at the proper opening height. Check that all four leveling legs contact floor and support the full weight of the refrigerator. Doors need to be installed when leveling.



**9.** Remove all tape and door bracing from refrigerator and freezer doors. Remove screws attaching handles to door frames. Discard nylon washers underneath screws. Slide decorative door panels into door frames.

If panels are less than 1/4" (6 mm) thick, install a filler panel between door and decorative panel.

If panels are more than 1/4" (6 mm) thick, route panel edges on all sides.

**CRITICAL STEP**

**10.** Check that both refrigerator and freezer doors are aligned and level.

If doors need to be adjusted left or right or in or out, loosen the 3/8" (9 mm) hex head screws in the top hinges.

If doors need to be adjusted up or down, loosen the 3/8" (9 mm) hex head screws in the bottom hinges.

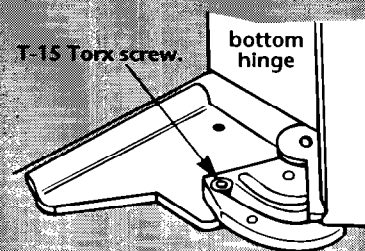
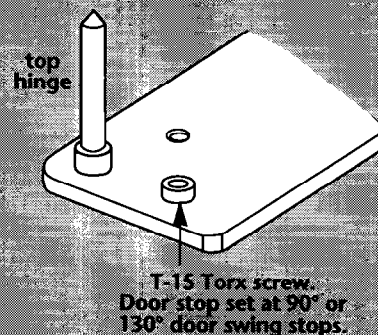
Adjust doors. Tighten screws. Check that doors are aligned and level.

**CRITICAL STEPS**

**11.** Replace door handles. Check that the top of both door handles are aligned. If door handles are not aligned, loosen all handle screws and adjust door handles up or down. Tighten screws. If any of the white door screws are damaged, replace them with additional screws provided in the parts package.

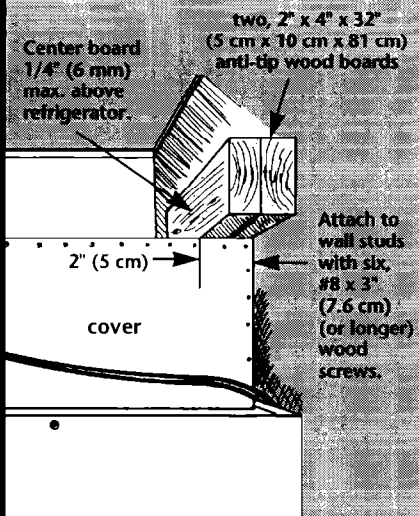
**12.** Check that doors can open freely. If needed, adjust door swing as follows:

Remove top grille by removing four 1/4" (6 mm) screws located behind the decorative panel assembly.



Remove door stop set screw located in top and bottom hinges using a T-15 Torx wrench.

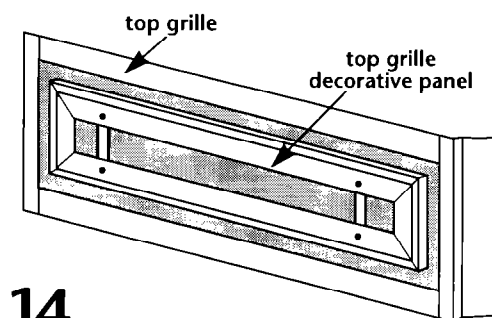
Hold door in the desired position and replace set screws. If door does not clear countertop after door stop has been adjusted, countertops may need to be mitered.

**CRITICAL STEP**

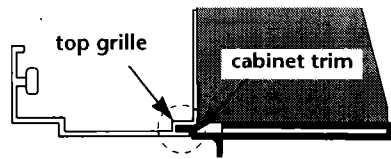
Boards must be long enough to fully cover width of compressor cover.

**13.** If solid soffit is 1 inch (2.5 cm) above refrigerator, anti-tip wood boards are not required.

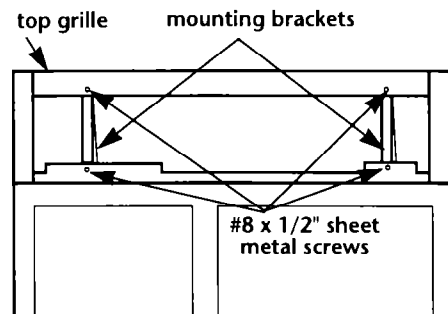
If solid soffit is not available or soffit is more than 1 inch (2.5 cm) above refrigerator, locate wall studs in refrigerator opening. Center one wood board on rear wall 1/4 inch (6 mm) maximum above refrigerator. Attach wood board to wall studs with wood screws — making sure that screws are engaged in wall studs 1-1/2 inches (3.8 cm) minimum. Attach second wood board to the front of the first board. Wood boards must extend 2 inches (5 cm) minimum over the top rear of the refrigerator compressor cover.



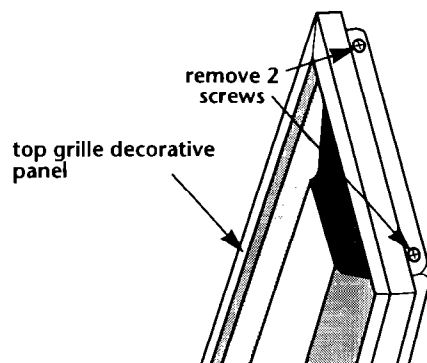
**14.** Remove top grille and four #8 x 1/2" sheet metal screws from carton. Slide decorative panel up to remove from top grille.



**15.** Assemble the bottom trim of the top grille onto the trim at the top of the cabinet.



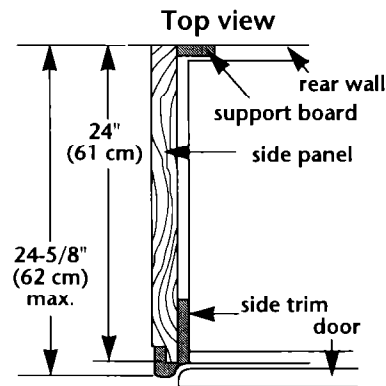
**16.** Use the four sheet metal screws to attach top grille to the mounting brackets on top of the cabinet.



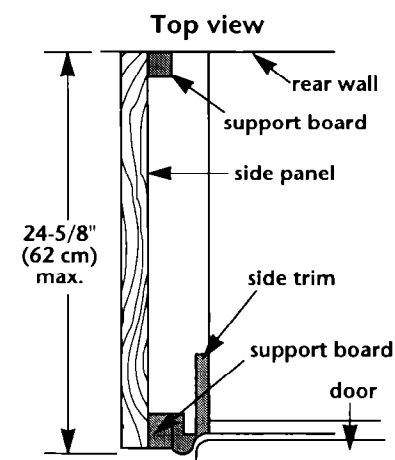
**17.** Remove screws and side trim from one side of the decorative panel. Insert your panel. Reattach side trim and screws.

**18.** Slide decorative panel down to reattach to top grille.

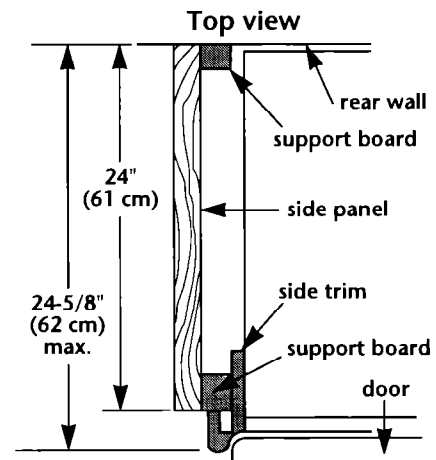
**19.** If side panels are not used, go to Step 20. If built-in area depth is 25" (63.5 cm) or more, side panels can be installed inside the side trim or attached to the outside of the side trim.



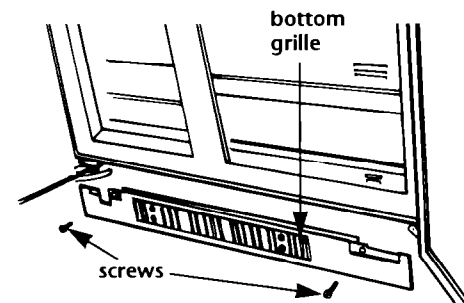
- **Inside side trim piece:** Slide front edge of routed side panel into trim piece. Nail rear edge of panel to support board.



- **Outside side trim piece:** Drill 6 equally spaced holes into side trim piece. **Do Not drill into side of appliance.** Attach a support board to trim piece. Nail front and rear edges of side panel to support boards. Cover front support board with a matching panel piece.



If built-in area depth is less than 25" (63.5 cm), complete side panel installation according to site restrictions. (One method is to install a support nailer on the built-in opening rear wall. Drill holes into side trim. Then attach wood support to trim. Attach side panel to wood support and support nailer. Cover wood support with a matching panel piece.)



**20.** Open appliance doors and remove protective film from door frame. Recheck water connections at bottom of refrigerator for leaks.

Attach bottom grille to cabinet with two screws. Install shelves and bins in refrigerator and freezer compartments.

**21.** Set refrigerator and freezer compartment controls to the midpoint between "COLD" and "COLDEST." Check that the compressor is operating properly and that all five lights are working.

To get the most efficient use from your new built-in refrigerator, read your KitchenAid Use and Care Guide. Keep Installation Instructions and Guide close to built-in refrigerator for easy reference.

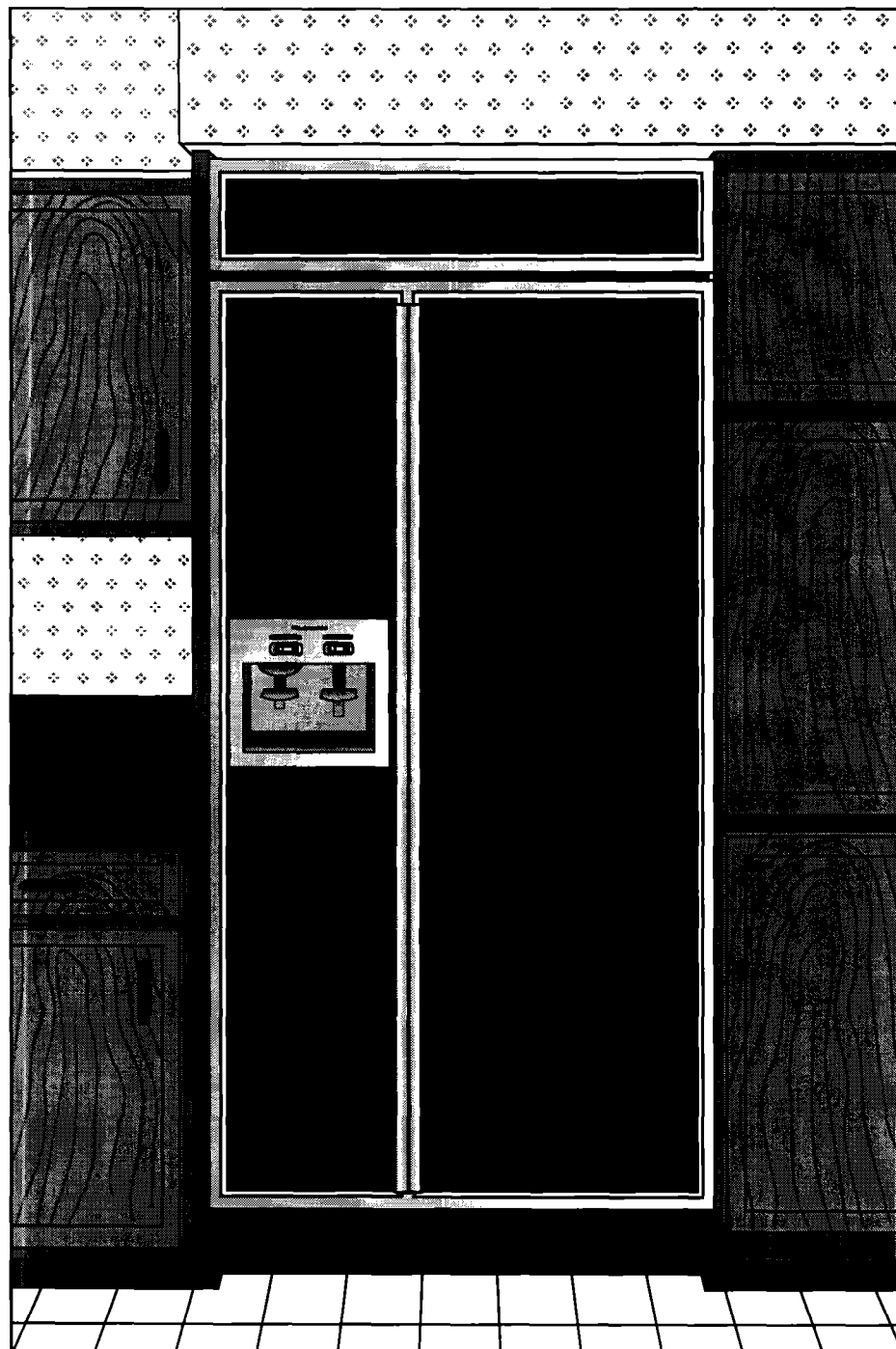
# Instructions d'installation

Réfrigérateurs  
encastrés  
91 cm (36 po),  
106 cm (42 po) et  
122 cm (48 po)

**Important :**  
Lire et conserver  
ces instructions.  
L'installation  
nécessite  
l'intervention de 2  
personnes ou plus.

**Important :**

- **Installateur :** Remettre les instructions d'installation au propriétaire.
- **Propriétaire :** Conserver les instructions d'installation pour référence ultérieure.
- **Conserver ces instructions** d'installation pour consultation par l'inspecteur local des installations électriques.



Pièce N° 2003757

**KitchenAid**<sup>®</sup>  
APPAREILS MÉNAGERS

# Avant de commencer...

## ! AVERTISSEMENT

### Risque de blessures

À cause du poids et de la taille du réfrigérateur, son installation nécessite l'intervention de deux personnes ou plus.

La plus grande partie du poids du réfrigérateur se trouve à la partie supérieure. Manipuler le réfrigérateur avec prudence lors des déplacements, pour qu'il ne bascule pas.

Le non-respect de ces instructions peut être la cause de blessures.

Conserver la plaque en carton ou en contreplaqué de l'emballage sous le réfrigérateur jusqu'à ce qu'il soit installé à sa position de service.

### Important : Respecter les dispositions de tous les codes et règlements en vigueur.

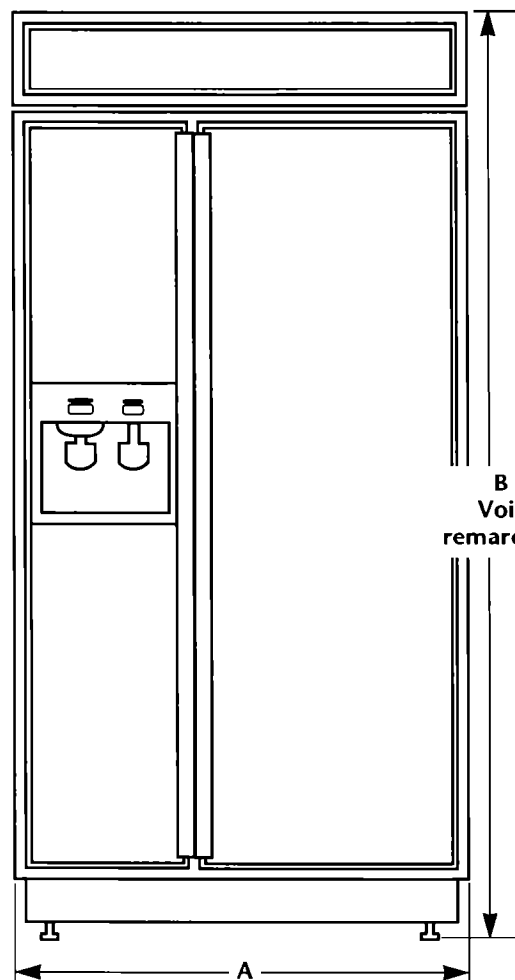
C'est à l'installateur qu'incombe la responsabilité de :

- Respecter les spécifications et dimensions d'installation.
- Installer le réfrigérateur convenablement.
- Vérifier que tout le matériel nécessaire à une installation convenable est disponible:
  - Tube en cuivre de 6 mm (1/4 po) avec robinet d'arrêt
  - Raccord à compression, 6 mm (1/4 po)
  - 6 vis à bois n° 8 x 7,6 cm (3 po) (il peut être nécessaire d'utiliser des vis plus longues)
  - 2 morceaux de bois de 5 cm x 10 cm x 81 cm (2 po x 4 po x 32 po) min. (voir page 4)
  - Tournevis - pointe Torx T-15
- Vérifier que la résistance du plancher lui permet de soutenir le poids du réfrigérateur (plus de 272 kg/600 lb), des panneaux de portes et du contenu.
- Fournir une prise de courant convenablement reliée à la terre.
- Vérifier que l'emplacement d'installation permet l'ouverture de la porte du réfrigérateur à au moins 90°.

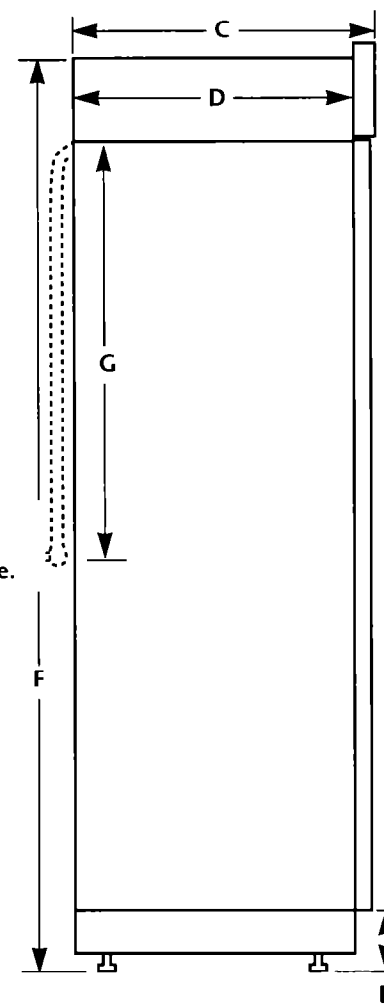
\* Les dimensions indiquées correspondent à la situation où les pieds de réglage de l'aplomb dépassent de 3 mm (1/8 po) au-dessous des roulettes. Lorsque les pieds sont totalement déployés de 32 mm (1 1/4 po) au-dessous des roulettes, ajouter 29 mm (1 1/8 po) à cette dimension.

## Dimensions du produit

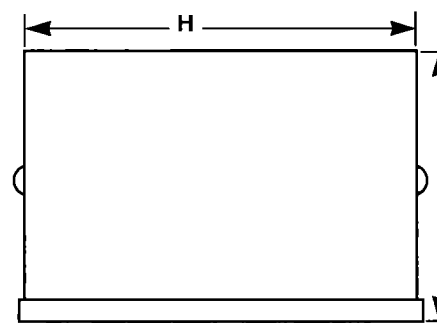
### Vue avant



### Vue latérale



### Vue de dessus



#### Remarque:

La dimension "B" peut être augmentée ou diminuée de 1,3 cm (1/2 po) en employant la trousse du panneau décoratif disponible chez votre marchand.

**Pour augmenter:** employer la trousse de panneau (84 po) n° 4378788 (garniture argent) ou 4378789 (garniture blanche).

**Pour diminuer:** employer la trousse de panneau (83 po) n° 4378786 (garniture argent) ou 4378787 (garniture blanche).

#### Modèles avec et sans distributeur

	91 cm (36 po)	106 cm (42 po)	122 cm (48 po)
A	91 cm (36 po)	106 cm (42 po)	122 cm (48 po)
B	212 cm (83 5/8 po)*	212 cm (83 5/8 po)*	212 cm (83 5/8 po)*
C	64 cm (25 1/8 po)	64 cm (25 1/8 po)	64 cm (25 1/8 po)
D	60 cm (23 1/2 po)	60 cm (23 1/2 po)	60 cm (23 1/2 po)
E	9 cm (3 1/2 po)*	9 cm (3 1/2 po)*	9 cm (3 1/2 po)*
F	211 cm (83 1/8 po)*	211 cm (83 1/8 po)*	211 cm (83 1/8 po)*
G	61 cm (24 po)	61 cm (24 po)	61 cm (24 po)
H	89 cm (35 po)	104 cm (41 po)	119 cm (47 po)
I	63,5 cm (25 po)	63,5 cm (25 po)	63,5 cm (25 po)

## Caractéristiques et dimensions de la cavité d'encastrement

Tolérance de  $\pm 3$  mm (1/8 po)  
pour toutes les dimensions

### **AVERTISSEMENT**

#### Risque de blessures

Faire attention à ce que le réfrigérateur ne bascule pas; la plus grande partie du poids du réfrigérateur se trouve à la partie supérieure.

Pour éviter que le réfrigérateur ne bascule en cours de service, installer un soffite massif ou deux cales en bois de 5 cm x 10 cm x 81 cm (2 po x 4 po x 32 po) recouvrant la largeur du couvercle du compresseur.

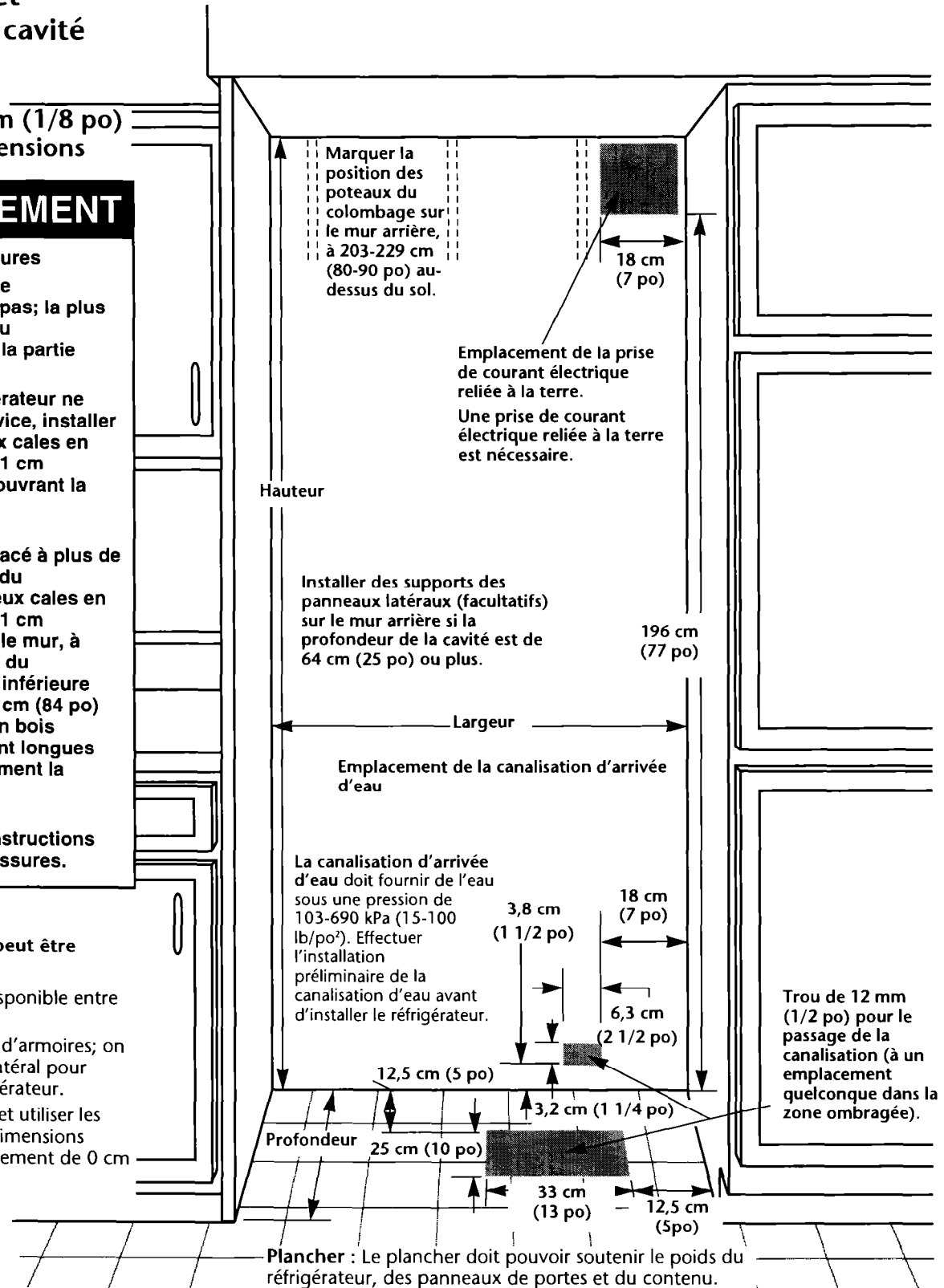
Si le soffite massif est placé à plus de 2,5 cm (1 po) au-dessus du réfrigérateur, installer deux cales en bois de 5 cm x 10 cm x 81 cm (2 po x 4 po x 32 po) sur le mur, à 6 mm (1/4 po) au-dessus du réfrigérateur. La surface inférieure des cales doit être à 213 cm (84 po) du plancher. Les cales en bois doivent être suffisamment longues pour recouvrir complètement la largeur du couvercle du compresseur.

Le non-respect de ces instructions peut être la cause de blessures.

Le réfrigérateur encastré peut être installé :

- en retrait dans l'espace disponible entre les placards.
- à l'extrémité de la rangée d'armoires; on utilise alors un panneau latéral pour recouvrir le côté du réfrigérateur.

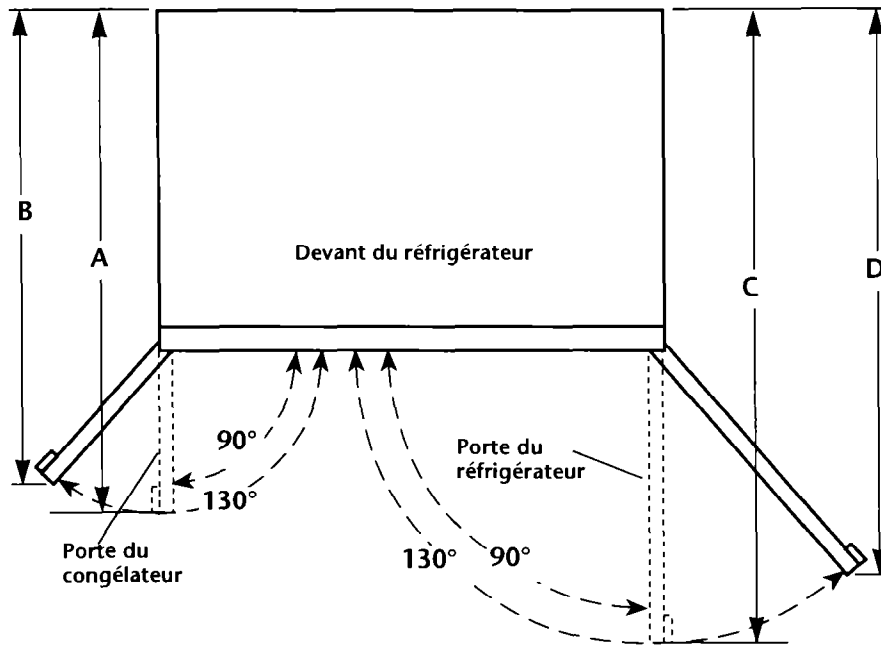
Choisir l'une des méthodes et utiliser les dimensions indiquées. Les dimensions indiquées laissent un dégagement de 0 cm (0 po).



### Dimensions de la cavité

Modèle	91 cm (36 po)	106 cm (42 po)	122 cm (48 po)
Largeur min.	90 cm (35 1/2 po)	105 cm (41 1/2 po)	120 cm (47 1/2 po)
Hauteur min.	211,5 cm (83 1/4 po)	211,5 cm (83 1/4 po)	211,5 cm (83 1/4 po)
Hauteur max.	215 cm (84 3/4 po)	215 cm (84 3/4 po)	215 cm (84 3/4 po)
Profondeur min.	60 cm (23 1/2 po)	60 cm (23 1/2 po)	60 cm (23 1/2 po)

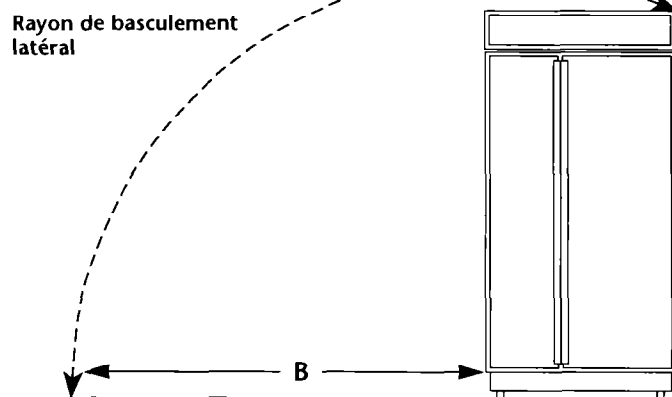
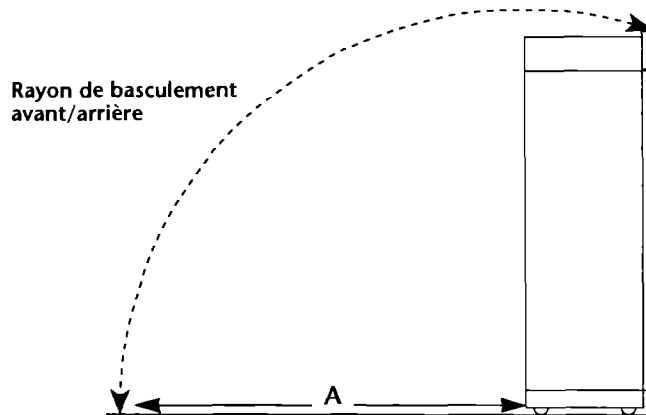
## Dimensions pour le pivotement des portes



	91 cm (36 po)	106 cm (42 po)	122 cm (48 po)
<b>A</b>	98 cm (38-1/2 po)	104 cm (41 po)	110 cm (43 1/2 po)
<b>B</b>	92 cm (36-1/16 po)	97 cm (38 po)	102 cm (40 po)
<b>C</b>	110 cm (43-1/2 po)	119 cm (47 po)	128 cm (50 1/2 po)
<b>D</b>	102 cm (40 po)	108 cm (42 9/16 po)	115 cm (45 1/4 po)

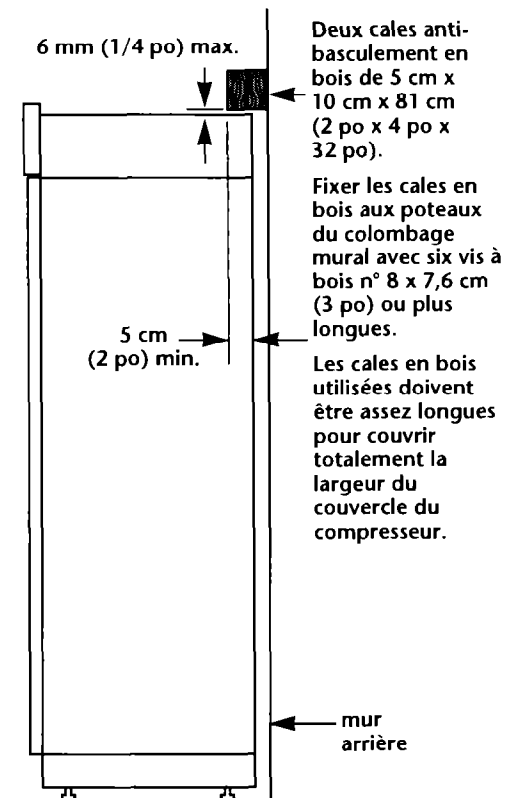
L'emplacement d'installation doit permettre l'ouverture des portes à un angle de 90° au moins. Laisser un espace d'au moins 2,5 cm (1 po) entre le côté du réfrigérateur et le mur formant l'angle.

## Rayon de basculement



Taille	A	B
91 cm (36 po)	222 cm (87 1/4 po)	230 cm (90 1/2 po)
106 cm (42 po)	222 cm (87 1/4 po)	236 cm (93 po)
122 cm (48 po)	222 cm (87 1/4 po)	244 cm (96 po)

## Prévention du basculement



Si les cales sont mises en place avant l'installation du réfrigérateur, positionner les cales de sorte que leur base soit à 213 cm (84 po) du plancher. Pendant l'installation, soulever le réfrigérateur afin qu'il y ait un espace de 6 mm (1/4 po) au plus entre le haut du réfrigérateur et la base des cales antibasculement.

Si un soffite massif est installé à 2,5 cm (1 po) au-dessus du réfrigérateur, il n'est pas nécessaire d'installer les cales en bois pour prévenir le basculement.

Si un soffite massif n'est pas disponible ou si le soffite est placé à plus de 2,5 cm (1 po) au-dessus de la partie supérieure, centrer les cales en bois utilisées pour la prévention du basculement sur le mur arrière à 6 mm (1/4 po) max. au-dessus du réfrigérateur. À l'aide des vis à bois, visser les cales en bois aux poteaux du colombage mural - veiller à ce que les vis pénètrent dans les poteaux du colombage d'au moins 3,8 cm (1 1/2 po) et à ce que la surface frontale des cales en bois soit située à au moins 5 cm (2 po) au-delà de la surface arrière du couvercle du compresseur du réfrigérateur.

# Pièces à commander séparément ou à faire fabriquer sur mesure

**1. Ensembles de panneaux**  
Quatre ensembles de panneaux de portes en acrylique coloré ou en acier inoxydable sont disponibles de votre concessionnaire

KitchenAid. Utiliser les instructions d'installation fournies avec chaque ensemble pour l'installation des panneaux.

## Panneaux - Numéros des ensembles

Modèle	Sans distributeur			Avec distributeur		
	91 cm (36 po)	106 cm (42 po)	122 cm (48 po)	91 cm (36 po)	106 cm (42 po)	122 cm (48 po)
Blanc	4318635	4318636	4318637	4378650	4378651	4378652
Noir	4318632	4318633	4318634	4378653	4378654	4378655
Amande	4318638	4318639	4318640	4378656	4378657	4378658
Acier inoxydable	4318641	4318642	4318643	4378659	4378660	4378661

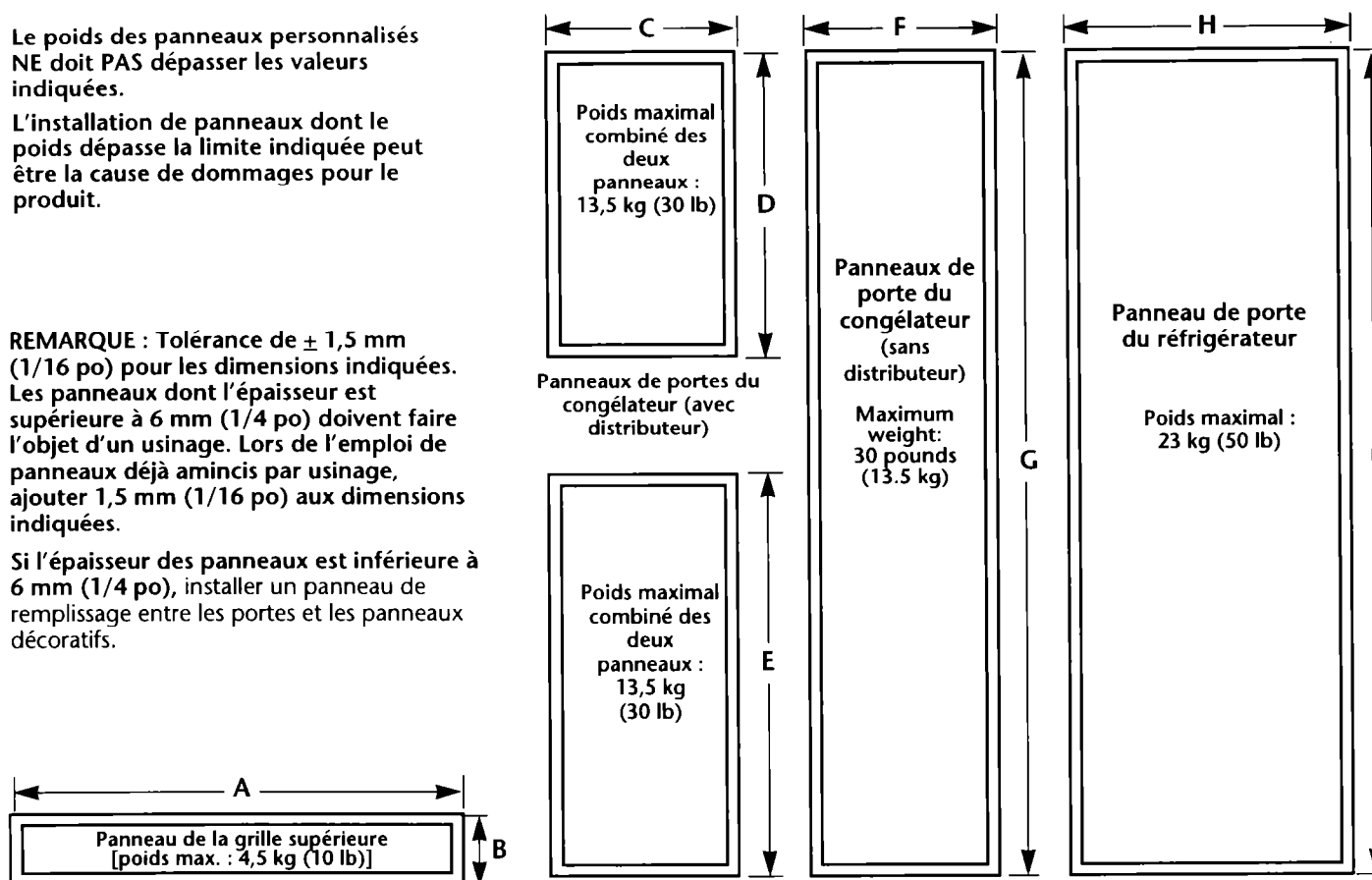
## 2. Panneaux personnalisés

Le poids des panneaux personnalisés NE doit PAS dépasser les valeurs indiquées.

L'installation de panneaux dont le poids dépasse la limite indiquée peut être la cause de dommages pour le produit.

**REMARQUE :** Tolérance de  $\pm 1,5$  mm (1/16 po) pour les dimensions indiquées. Les panneaux dont l'épaisseur est supérieure à 6 mm (1/4 po) doivent faire l'objet d'un usinage. Lors de l'emploi de panneaux déjà amincis par usinage, ajouter 1,5 mm (1/16 po) aux dimensions indiquées.

Si l'épaisseur des panneaux est inférieure à 6 mm (1/4 po), installer un panneau de remplissage entre les portes et les panneaux décoratifs.

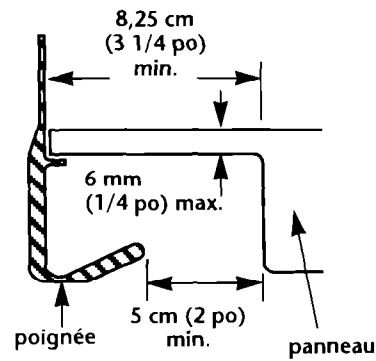


Taille	A	B	C	D	E	F	G	H	I
91 cm (36 po)	82 cm (32 3/8 po)	15 cm (6 po)	36 cm (14 1/4 po)	60 cm (23 7/16 po)	87 cm (34 7/16 po)	36 cm (14 1/4 po)	179 cm (70 7/16 po)	49 cm (19 1/4 po)	179 cm (70 7/16 po)
106 cm (42 po)	97 cm (38 3/8 po)	15 cm (6 po)	43 cm (16 3/4 po)	60 cm (23 7/16 po)	87 cm (34 7/16 po)	43 cm (16 3/4 po)	179 cm (70 7/16 po)	58 cm (22 3/4 po)	179 cm (70 7/16 po)
122 cm (48 po)	113 cm (44 3/8 po)	15 cm (6 po)	49 cm (19 1/4 po)	60 cm (23 7/16 po)	87 cm (34 7/16 po)	49 cm (19 1/4 po)	179 cm (70 7/16 po)	67 cm (26 1/4 po)	179 cm (70 7/16 po)

\*La dimension "B" augmentera ou diminuera de 1,3 cm (1/2 po) si les trousseaux de panneaux décoratifs indiqués à la page 2 sont utilisés.

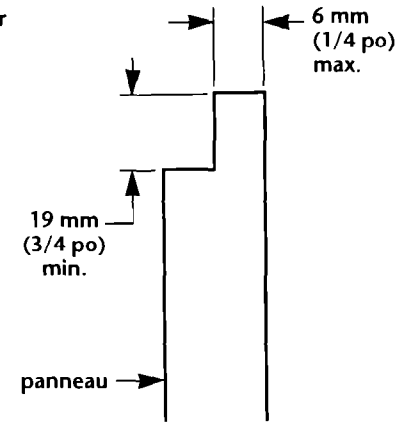
### Vue de l'extrémité - côté poignée du panneau

**Panneaux personnalisés d'épaisseur supérieure à 6 mm (1/4 po) :**  
Amincir par usinage à la toupie sur toute la longueur ou à des emplacements choisis du côté poignée du panneau, sur 8,25 cm (3 1/4 po).



### Vue latérale

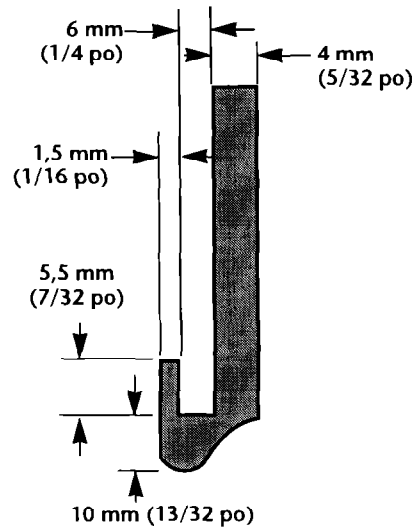
Dimensions pour l'usinage à la périphérie des panneaux



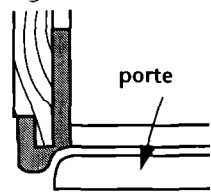
## 3. Panneaux latéraux

Si le panneau latéral doit s'engager dans une garniture latérale, et si l'épaisseur du panneau latéral est supérieure à 6 mm (1/4 po), amincir par usinage le bord avant du panneau pour qu'il puisse passer dans la pièce de garniture.

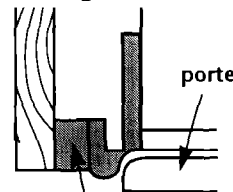
Vue de l'extrémité de la pièce de garniture latérale



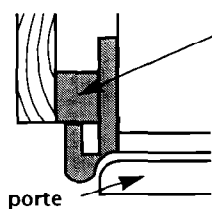
panneau latéral engagé dans la pièce de garniture latérale.



panneau latéral hors de la pièce de garniture latérale.



panneau latéral hors de la pièce de garniture latérale, et en retrait.

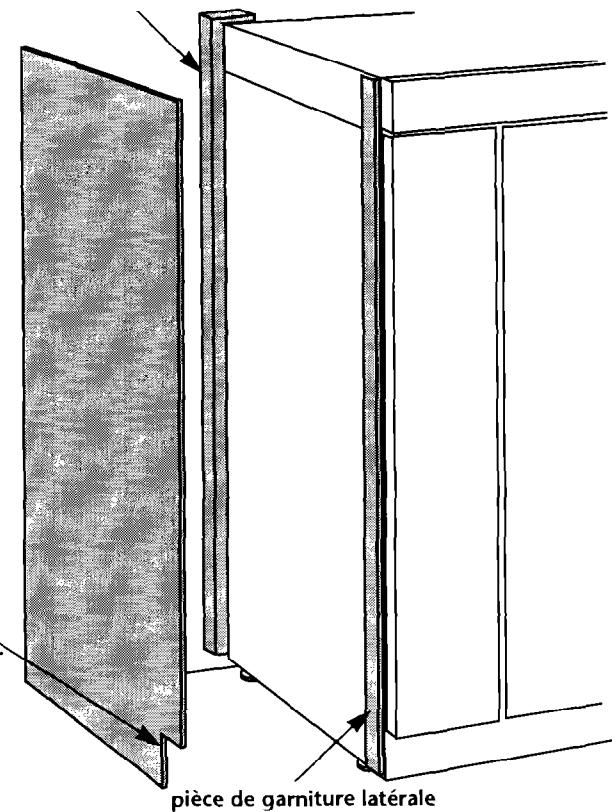


Largeur et hauteur : selon le type d'installation.

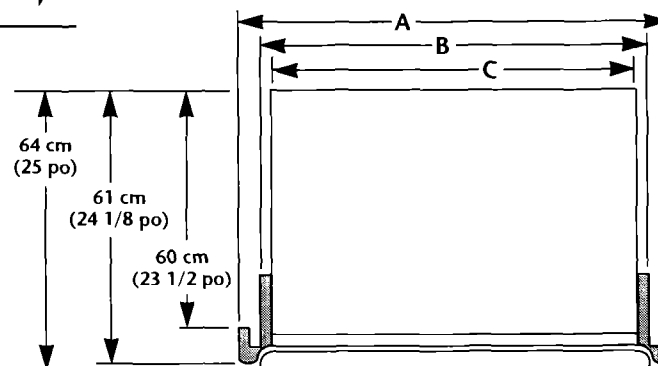
Épaisseur : Minimum 12 mm (1/2 po) pour empêcher le gauchissement.

Encoches pour la plinthe en retrait (le cas échéant). Déterminer la hauteur du réfrigérateur installé avant de découper les encoches.

tringle de clouage et support du panneau latéral



tringle d'appui



Modèle	91 cm (36 po)	106 cm (42 po)	122 cm (48 po)
A	91 cm (36 po)	106 cm (42 po)	122 cm (48 po)
B	90 cm (35 1/2 po)	105 cm (41 1/2 po)	120 cm (47 1/2 po)
C	89 cm (35 po)	104 cm (41 po)	119 cm (47 po)



# Spécifications de l'alimentation électrique et en eau

## Spécifications de l'alimentation électrique

### ⚠️ AVERTISSEMENT



#### Risque de choc électrique

Cet appareil doit être relié électriquement à la terre.

Ne pas utiliser une tuyauterie de gaz pour la liaison à la terre.

Ne pas modifier la fiche de branchement du cordon d'alimentation électrique. Si la configuration du cordon ne correspond pas à celle de la prise de courant, faire installer une prise convenable par un électricien qualifié.

Ne pas installer un fusible dans le circuit de liaison à la terre ou dans le conducteur neutre.

Ne pas utiliser un fil de rallonge.

Demander à un technicien qualifié de vérifier la qualité de la liaison à la terre.

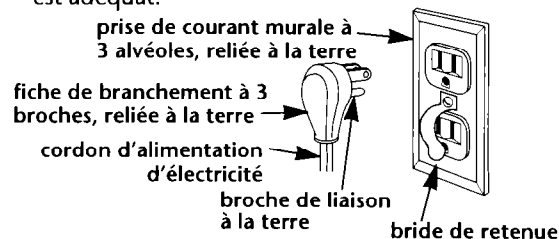
C'est au client qu'incombe la responsabilité de:

Contacteur un électricien qualifié pour l'installation.

Veiller à ce que l'installation électrique soit adéquate et conforme au Code national des installations électriques, ANSI/NFPA 70 - dernière édition\*\* ou au Code canadien des installations électriques, C22.1-1982 et C22.2 No 01982 (ou dernière édition)\*, et à tous les codes et règlements locaux en vigueur.

Le non-respect de ces instructions peut être la cause d'un choc électrique ou même d'un accident mortel.

Si les codes en vigueur le permettent et si un fil distinct de liaison à la terre est utilisé, on recommande qu'un électricien qualifié détermine que le conducteur de liaison à la terre est adéquat.



Une prise de courant de 120 V, 60 Hz, CA seulement, 15 ou 20 A, avec fusible, doit être disponible. On recommande l'emploi d'un fusible temporisé ou d'un disjoncteur.

On recommande également que l'appareil soit alimenté par un circuit distinct n'alimentant que cet appareil.

Cet appareil est équipé d'un cordon d'alimentation doté d'une fiche de branchement à 3 broches. Pour minimiser le risque de choc électrique, le cordon doit être branché sur une prise de courant murale correspondante, à 3 alvéoles, reliée à la terre, conformément aux dispositions du Code National Électrique, ANSI/NFPA 70 — dernière édition\*\* ou du Code canadien des installations électriques C22.1-1982 et C22.2 n° 01982 (ou dernière édition)\*, et de tous les codes locaux et règlements en vigueur.

On peut obtenir un exemplaire des codes mentionnés à l'adresse suivante :

\* Association canadienne de normalisation  
178 Rexdale Boulevard  
Etobicoke, Ontario M9W 1R3

\*\* National Fire Protection Association  
Batterymarch Park  
Quincy, Massachusetts, 02269

## Spécifications de l'alimentation en eau

### ⚠️ AVERTISSEMENT



#### Risque de choc électrique

Il peut exister un résidu d'eau dans la canalisation.

Il faut que la perceuse électrique utilisée soit reliée à la terre pour éviter tout risque de choc électrique advenant l'introduction d'eau dans la perceuse pendant l'utilisation.

Le non-respect de ces instructions peut être la cause d'un choc électrique ou même d'un accident mortel.

Pour éviter tout dommage à la propriété ou au produit:

- Utiliser uniquement du tube de cuivre de 1/4 po (6mm) pour canalisation d'eau.
- Ne pas faire une installation de tube de cuivre à un endroit exposé au gel - au-dessous de 32°F (0°C).
- Avant de raccorder le tube de cuivre au réfrigérateur, faire couler au moins 1,9 litre (2 pintes) d'eau à travers le tube de cuivre pour le rincer et pour éliminer toute particule solide présente dans la canalisation; récupérer l'eau dans un seau.
- Ne pas serrer excessivement les brides au raccord. Le tube de cuivre s'écraserait.
- Vérifier pour rechercher les fuites au niveau de la bride de branchement.

La canalisation d'eau alimentant le réfrigérateur doit fournir de l'eau sous une pression de 103-690 kPa (15-100 lb/po<sup>2</sup>).  
Calcul de la longueur nécessaire de la section d'un tube en cuivre de 6 mm (1/4 po) de diam. ext. :

1. Identifier à proximité du réfrigérateur une canalisation d'eau FROIDE verticale de 1,2 cm à 3,2 cm (1/2 po à 1 1/4 po). On peut également utiliser une canalisation d'eau FROIDE horizontale si les instructions de l'étape 4 sont scrupuleusement observées.

2. Mesurer la distance entre la canalisation d'eau froide et le réfrigérateur. Ajouter 61 cm (24 po) à cette dimension.

**Pose préliminaire de la canalisation d'arrivée d'eau :**

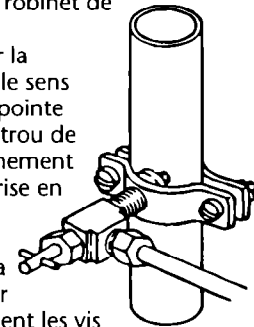
3. FERMER le robinet principal d'alimentation. OUVRIR le robinet le plus proche assez longtemps pour purger toute l'eau des canalisations.

4. Canalisation d'eau froide verticale : Utiliser une perceuse électrique reliée à la terre ou une perceuse manuelle pour percer un trou de 4,5 mm (3/16 po) à un emplacement facilement accessible de la canalisation.

**Canalisation d'eau froide horizontale :** Utiliser une perceuse électrique reliée à la terre ou une perceuse manuelle pour percer un trou de 4,5 mm (3/16 po) dans la partie supérieure de la canalisation. Ainsi, des sédiments ne s'accumuleront pas dans le robinet de prise en charge.

5. Placer le joint sur le trou percé de la canalisation. Faire tourner la manette du robinet de prise en charge dans le sens horaire pour faire dépasser la pointe perçante d'un maximum de 4,5 mm (3/16 po). Aligner la pointe perçante avec le trou percé dans la canalisation. Placer les deux moitiés de la bride de fixation du robinet de prise en charge contre la canalisation. Faire tourner la manette du robinet dans le sens horaire jusqu'à ce que la pointe perçante pénètre dans le trou de la canalisation et soit fermement en place. Le robinet de prise en charge n'est pas à la position de fermeture.

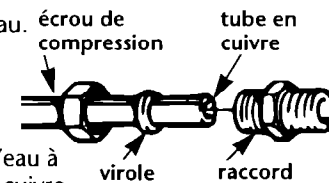
Serrer l'écrou autour de la tige de commande. Serrer uniformément et fermement les vis de bridage, afin que le joint établisse une connexion étanche. **Ne pas serrer excessivement; le tube en cuivre pourrait s'écraser.**



6. Veiller à ce que les deux extrémités du tube en cuivre soient coupées à l'équerre. Enfiler l'écrou de compression et la virole sur le tube en cuivre. Enfoncer complètement l'extrémité du tube en cuivre dans l'ouverture du robinet. Serrer l'écrou de compression sur le raccord avec une clé à molette. **Ne pas serrer excessivement.**

7. Ouvrir le robinet principal d'alimentation. Inspecter pour rechercher les fuites. Faire tourner la manette du robinet de prise en charge dans le sens antihoraire et laisser de l'eau s'écouler à travers le tube en cuivre dans un seau. Faire tourner la manette dans le sens horaire pour interrompre l'écoulement de l'eau à travers le tube en cuivre.

8. Acheminer le tube en cuivre jusqu'à la zone d'installation du réfrigérateur.  
9. Enfiler l'écrou de compression et la virole sur la canalisation d'eau. Visser l'écrou sur le raccord et serrer. **Ne pas serrer excessivement.**



# Étapes de l'installation

## Pièces fournies pour l'installation :

- grille de ventilation basse
- Sachet de pièces

Vérifier que toutes les pièces sont présentes.

S'assurer que toutes les pièces sont incluses:

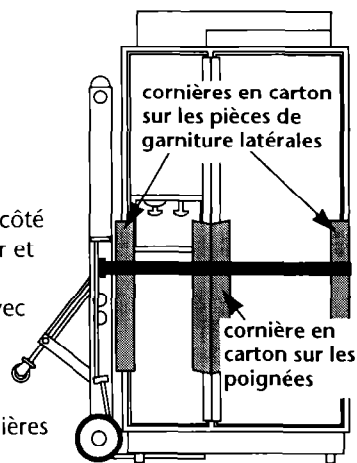
Pour éviter tout dommage qui affectera le produit ou le revêtement de sol:

- Ne pas baisser le réfrigérateur contre la base utilisée pour le transport lors de l'enlèvement de cette base.
- Ne pas retirer la pellicule de protection avant que le réfrigérateur soit en position de service.
- Veiller à ce que les quatre pieds soient en contact avec le sol, supportent tout le poids du réfrigérateur et le stabilisent.
- Laisser le réfrigérateur sur une feuille de carton ou de contreplaqué jusqu'à ce qu'il soit installé à sa position de service.

**1.** Enlever le sachet de documents et le sachet de pièces fixés sur la porte du réfrigérateur; conserver ces articles en lieu sûr. Ôter les quatre brides (deux de chaque côté) fixant la base utilisée pour le transport en bas du réfrigérateur. **Ne pas ôter les rubans adhésifs et entretoises qui immobilisent les portes avant que le réfrigérateur ait été solidement installé à la position de service finale. Voir page 3.**

**2.** Mettre le chariot sous le côté du réfrigérateur et arrimer le réfrigérateur avec la sangle du chariot, sans trop serrer.

Insérer les cornières en carton pour protéger les garnitures latérales et les poignées entre la sangle et le réfrigérateur. Serrer prudemment la sangle en vérifiant que les pièces de garniture latérales et les poignées sont protégées.



## ⚠ AVERTISSEMENT

### Risque de blessures

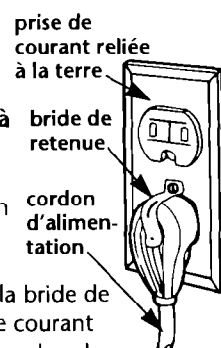
À cause du poids et de la taille du réfrigérateur, son installation nécessite l'intervention de deux personnes ou plus.

La plus grande partie du poids du réfrigérateur se trouve à la partie supérieure. Manipuler le réfrigérateur avec prudence lors des déplacements, pour qu'il ne bascule pas.

Le non-respect de ces instructions peut être la cause de blessures.

**3.** Avant de déplacer le réfrigérateur sur le plancher de la maison, sur un chariot, placer sur le plancher les sections de l'emballage de carton. Approcher le réfrigérateur près de l'ouverture de l'encastrement où il sera installé.

**4.** Pousser le commutateur d'alimentation situé en haut de la caisse à la position d'arrêt (OFF). Brancher le cordon d'alimentation sur une prise de courant électrique reliée à la terre. Fixer la bride de retenue sur la prise de courant avec la vis qu'on trouve dans le sachet de pièces.



**5.** Mettre une plaque en contreplaqué ou en carton sous le réfrigérateur. Retirer le chariot de manutention. Ouvrir les portes de l'appareil et ôter toutes les boîtes, les sachets de pièces et les matériaux d'emballage qu'on trouve dans le compartiment de réfrigération et le compartiment de congélation. **Ne pas ôter la pellicule protectrice.**

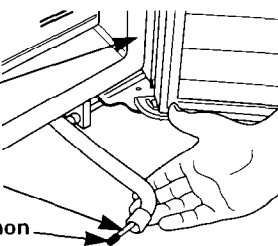
Insérer le réfrigérateur dans l'ouverture d'encastrement, en ligne droite et uniformément. Vérifier que :

- le tube en cuivre n'est pas déformé.
- le cordon d'alimentation électrique est au sommet du réfrigérateur, près du couvercle.

angle inférieur du réfrigérateur, côté droit

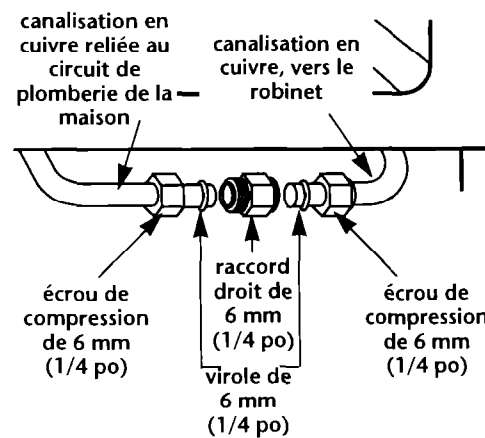
tube de cuivre vers robinet d'arrivée d'eau

capuchon



Vérifier que la canalisation d'arrivée d'eau a été purgée. Voir page 7.

**6.** Extraire la canalisation de cuivre du robinet d'alimentation en eau du réfrigérateur, et tirer vers l'avant par-dessous le réfrigérateur la canalisation de cuivre reliée au circuit de plomberie. Enlever le bouchon du conduit d'eau.



Enfiler un écrou de compression et sa virole sur l'extrémité libre de chaque canalisation de cuivre. Utiliser un raccord droit pour tubes de cuivre pour raccorder les deux canalisations de cuivre. **Ne pas serrer excessivement.**

Ouvrir le robinet d'arrivée d'eau (position OPEN). Placer le commutateur d'alimentation électrique du réfrigérateur à la position de marche (ON). Attendre quelques minutes. Inspecter la connexion de la canalisation d'eau et le robinet d'arrivée d'eau au sommet de la caisse pour identifier les fuites éventuelles. Réinsérer la canalisation de cuivre sous le réfrigérateur, en veillant à ne pas l'écraser.



**7.** Faire tourner les tiges filetées des pieds de mise d'aplomb arrière dans le sens horaire avec une clé à cliquet munie d'une douille de 8 mm (5/16 po), pour placer le réfrigérateur en appui sur les pieds arrière. Abaisser les pieds de mise d'aplomb avant avec la pince multiprise, jusqu'à ce que l'appareil soit en appui sur les pieds.

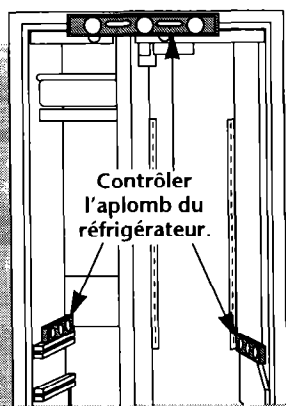
**Remarque :** Pour que le réfrigérateur soit convenablement soutenu et stable, il faut que les quatre pieds de mise d'aplomb soient en contact avec le sol. Ne pas utiliser des supports à roulettes sous le réfrigérateur.

## ÉTAPE CRITIQUE

**8.**

Ouvrir les portes. Mettre un niveau en contact avec la face inférieure de la garniture de la porte, aux endroits

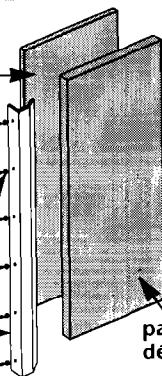
indiqués sur l'illustration. Ajuster les pieds avant et les tiges arrière, à droite et à gauche, jusqu'à ce que le réfrigérateur soit d'aplomb et à la hauteur convenable. Vérifier que les quatre pieds sont en contact avec le sol et soutiennent tout le poids du réfrigérateur. Il faut que les portes aient été installées avant cette opération de réglage de l'aplomb.



Panneau de remplissage nécessaire si l'épaisseur du panneau décoratif est inférieure à 6 mm (1/4 po).

rondelles de nylon (à jeter)

poignée de porte



Si l'épaisseur du panneau décoratif est supérieure à 6 mm (1/4 po), amincir tous les bords par usinage à la toupie.

panneau décoratif

**9.**

Ôter tous les rubans adhésifs et entretoises des portes du réfrigérateur et du congélateur. Ôter les vis fixant les poignées aux cadres de portes. Enfiler les panneaux décoratifs des portes dans les cadres de portes.

Si l'épaisseur du panneau décoratif est inférieure à 6 mm (1/4 po), installer un panneau de remplissage entre la porte et le panneau décoratif.

Si l'épaisseur du panneau décoratif est supérieure à 6 mm (1/4 po), amincir tous les bords par usinage à la toupie.

## ÉTAPE CRITIQUE

**10.**

Vérifier que la porte du réfrigérateur et celle du congélateur sont alignées et d'aplomb. S'il est nécessaire d'ajuster la position des portes vers la gauche ou vers la droite, vers l'intérieur ou vers l'extérieur, desserrer les vis à tête hexagonale de 9 mm (3/8 po) des charnières supérieures. S'il est nécessaire d'ajuster la position des portes vers le haut ou vers le bas, desserrer les vis à tête hexagonale de 9 mm (3/8 po) des charnières inférieures. Ajuster la position des portes. Serrer les vis. Vérifier que les portes sont alignées et d'aplomb.

**11.** Réinstaller les poignées des portes. Vérifier que les deux poignées de porte sont alignées.

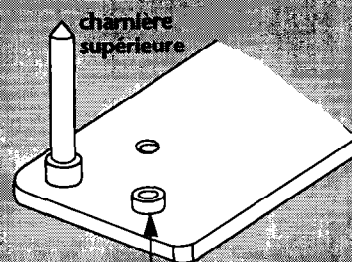
Si les poignées de porte ne sont pas alignées, desserrer toutes les vis des poignées et ajuster la position des poignées de porte vers le haut ou vers le bas. Serrer les vis.

Si des vis blanches de la porte sont endommagées, remplacer ces vis par des vis avec les vis additionnelles fournies dans le sachet de petites pièces.

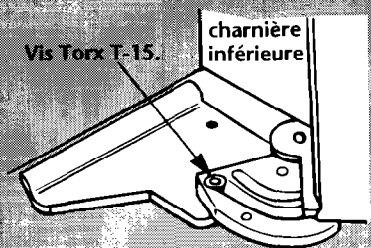
**12.**

Vérifier que chaque porte peut s'ouvrir librement. Si c'est nécessaire, régler l'angle de pivotement des portes comme suit :

Ôter la grille supérieure (ôter les quatre vis de 6 mm (1/4 po) situées derrière le panneau décoratif).



Vis Torx T-15. Butée de porte réglée pour 90° ou 130°.



Vis Torx T-15.

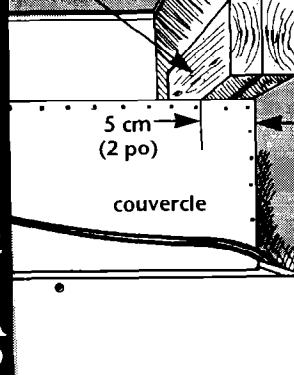
Ôter la vis de la butée de porte située dans la charnière supérieure et la charnière inférieure, à l'aide d'un tournevis Torx T-15.

Maintenir la porte à la position de pivotement désirée et réinstaller les vis de calage. S'il y a encore une interférence entre le comptoir et la porte après le réglage de la butée de porte, il peut être nécessaire d'usiner le panneau du comptoir.

## ÉTAPE CRITIQUE

Butée antibasculement : 6 mm (1/4 po) max. au-dessus du réfrigérateur

Deux cales en bois de 5 cm x 10 cm x 81 cm (2 po x 4 po x 32 po).



5 cm (2 po)

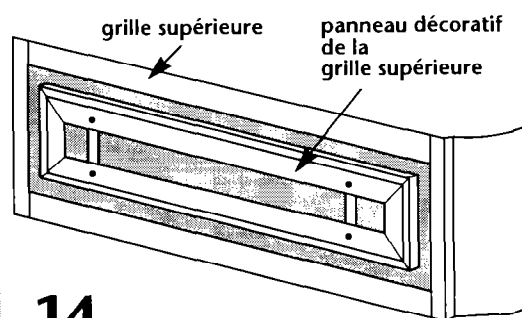
couvercle

Fixer ces cales en bois aux poteaux du colombage mural avec six vis à bois n° 8 x 7,6 cm (3 po) ou plus longues.

Les cales en bois utilisées doivent être assez longues pour couvrir totalement la largeur du couvercle du compresseur.

**13.** Si un soffite massif est installé à 2,5 cm (1 po) au-dessus du réfrigérateur, il n'est pas nécessaire d'installer des cales en bois antibasculement.

Si un soffite massif n'est pas disponible ou si le soffite est placé à plus de 2,5 cm (1 po) au-dessus du réfrigérateur, centrer les cales en bois antibasculement sur le mur arrière, à 6 mm (1/4 po) max. au-dessus du réfrigérateur. À l'aide des vis à bois, visser les cales en bois aux poteaux du colombage mural - veiller à ce que les vis pénètrent dans les poteaux du colombage d'au moins 3,8 cm (1 1/2 po) et à ce que la surface frontale des cales en bois soit placée à au moins 5 cm (2 po) au-delà de la surface arrière du couvercle du compresseur du réfrigérateur.

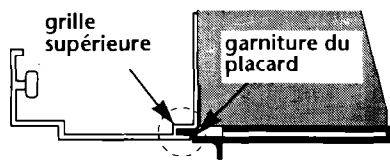


grille supérieure

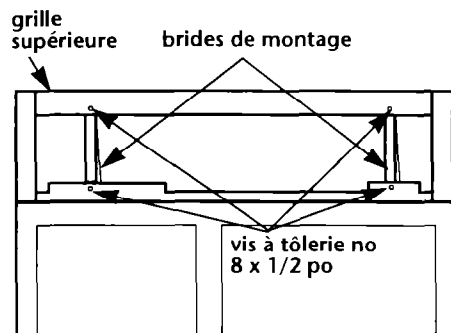
panneau décoratif de la grille supérieure

**14.**

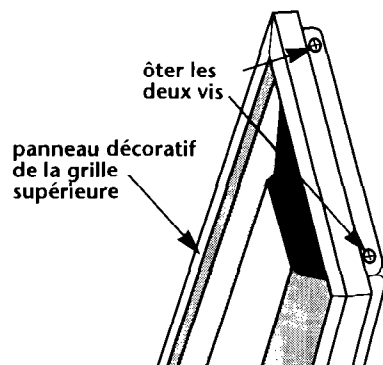
Retirer de l'emballage la grille supérieure et les quatre vis à tôlerie n° 8 x 1/2 po. Pousser le panneau décoratif vers le haut pour enlever la grille supérieure.



**15.** Placer la garniture inférieure de la grille supérieure en chevauchement sur la garniture au sommet du placard.



**16.** Utiliser les quatre vis à tôle pour fixer la grille supérieure sur les brides de montage au sommet du placard.

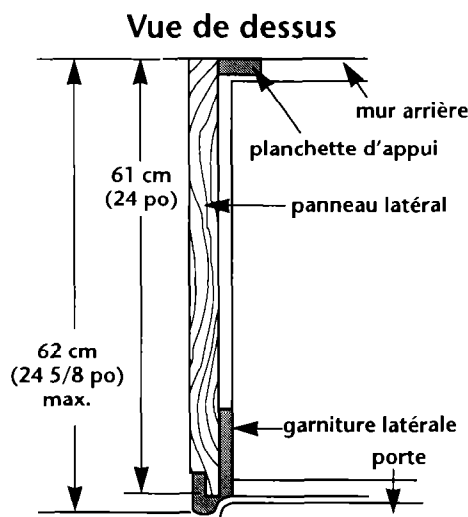


**17.** Ôter les vis et la garniture latérale sur un côté du panneau décoratif. Insérer le nouveau panneau. Réinstaller la garniture latérale et les vis.

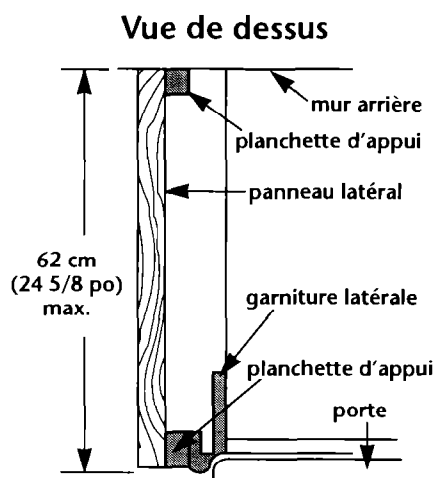
**18.** Laisser descendre le panneau décoratif pour fixer de nouveau la grille supérieure.

**19.** Si aucun panneau latéral n'est utilisé, passer à l'étape 20.

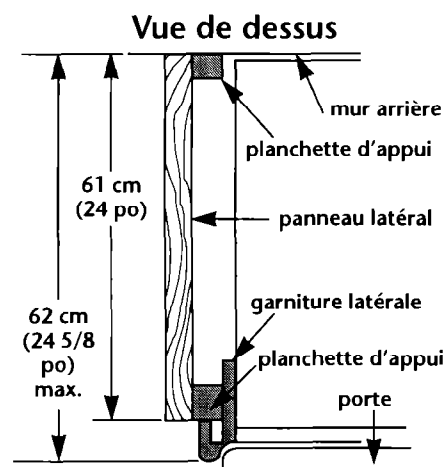
Si la profondeur de la cavité d'encastement est de 63,5 cm (25 po) ou plus, on peut engager les panneaux latéraux à l'intérieur de la garniture latérale, ou les fixer à l'extérieur de la garniture latérale.



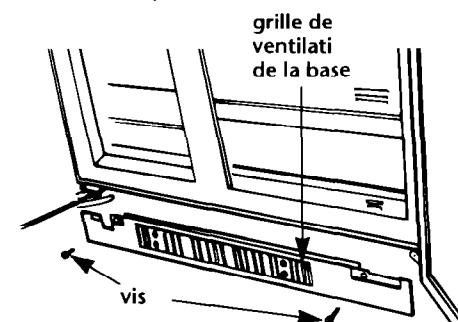
- **Pièce de garniture latérale interne :** Enfiler le bord avant aminci du panneau latéral dans la pièce de garniture. Clouer le bord arrière du panneau sur la planchette d'appui.



- **Pièce de garniture latérale externe :** Percer 6 trous équidistants dans la pièce de garniture latérale. Ne pas percer dans le côté de l'appareil. Fixer une planchette d'appui sur la pièce de garniture. Clouer les bords avant et arrière du panneau latéral sur les planchettes d'appui. Recouvrir la face avant des planchettes d'appui avec un morceau de panneau assorti.



Si la profondeur de la cavité d'encastement est inférieure à 63,5 cm (25 po), exécuter l'installation des panneaux latéraux en tenant compte des restrictions imposées par les caractéristiques du site d'installation. (Une méthode consiste à installer une planchette de clouage et d'appui sur le mur arrière de la cavité d'encastement. Percer des trous dans la garniture latérale. Fixer ensuite la planchette d'appui à la garniture. Fixer le panneau latéral sur la planchette d'appui et la planchette de clouage. Recouvrir la planchette d'appui avec un morceau de panneau assorti.)



**20.** Ouvrir les portes de l'appareil et ôter la pellicule protectrice de l'encadrement des portes. Inspecter de nouveau les raccords de connexion de tuyauterie situés en bas du réfrigérateur pour rechercher les fuites.

Fixer la grille de ventilation de la base avec deux vis. Installer les étagères et caissons dans les compartiments de réfrigération et de congélation.

**21.** Régler les thermostats du réfrigérateur et du congélateur au point médian entre les repères FROID et TRÈS FROID. Vérifier que le compresseur et les cinq lampes fonctionnent normalement.

Pour pouvoir utiliser au mieux ce nouveau réfrigérateur encastré, lire le guide d'utilisation et d'entretien KitchenAid. Conserver les instructions d'installation et le guide d'utilisation et d'entretien près du réfrigérateur encastré, pour référence.

# Instrucciones de Instalación

36 pulg. [91 cm]  
42 pulg. [106 cm]  
y 48 pulg. [122 cm]

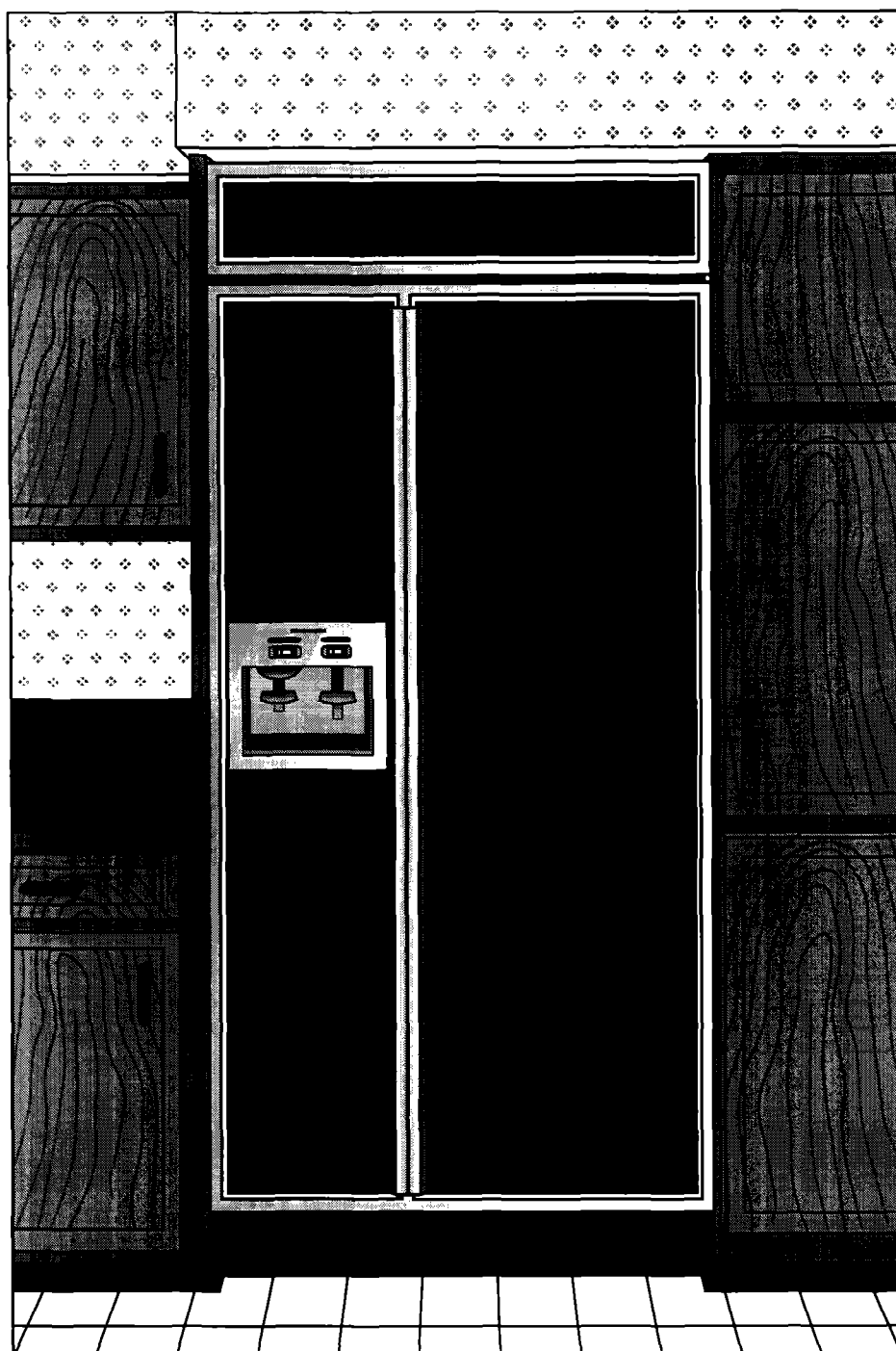
## Refrigeradores Empotrados

**Importante :**  
Leer y guardar  
estas instrucciones.

**Se requiere 2 o más  
personas para  
instalar.**

**Importante :**

- **Instalador :** Dejar instrucciones con el propietario.
- **Propietario :** Guardar instrucciones para referencia en el futuro.
- **Guarde** estas instrucciones de instalación para uso del inspector eléctrico.



Pieza No. 2003757

**KitchenAid**<sup>®</sup>  
ELECTRODOMESTICOS

# Antes de empezar...

## ! ADVERTENCIA

### Peligro de Heridas

Por el peso y tamaño del refrigerador, se requiere dos o más personas para su instalación.

La mayor parte del peso del refrigerador se encuentra en la sección superior. Se requiere de cuidado especial al mover el refrigerador, para prevenir su inclinación.

La falta de atención a estas instrucciones pueden causar heridas.

Mantener el cartón de empaque o pieza de plywood debajo del refrigerador hasta que se encuentre en su sitio permanente.

### Observar todas las disposiciones y regulaciones del caso.

#### Es su responsabilidad:

- Observar las disposiciones sobre instalación y dimensiones.
- Instalar el refrigerador en forma correcta.
- Verificar que dispone de los siguientes materiales necesarios para una instalación correcta:

tubería de cobre de 1/4 pulg. [6 mm] con válvula de cierre

accesorio de compresión de 1/4 pulg. [6 mm]

6 tornillos par madera #8 x 3 pulg. [7,6 cm]

[es posible que requiera tornillos más largos]

2 tiras de madera de 2 pulg. x 4 pulg. x [5 cm x 10 cm x 81 cm] min.

[ver Página]

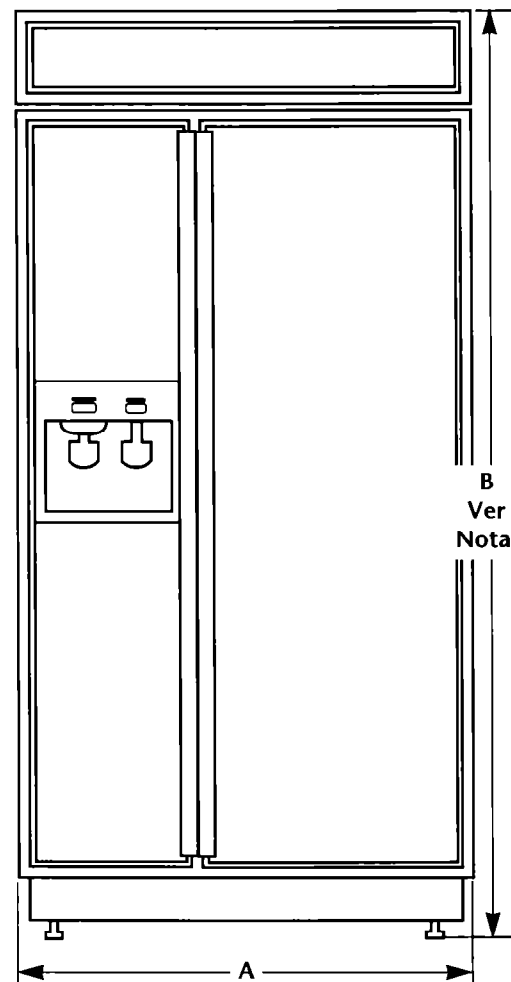
T-15 Tornillo Torx

- Confirmar que el piso puede soportar un refrigerador de un peso [mayor a 600 lbs./272 kg.], paneles de puertas y su contenido interior.
- Proveer un enchufe eléctrico con su debida tierra.
- Verificar que el lugar permite la apertura de la puerta del refrigerador por lo menos 90°.

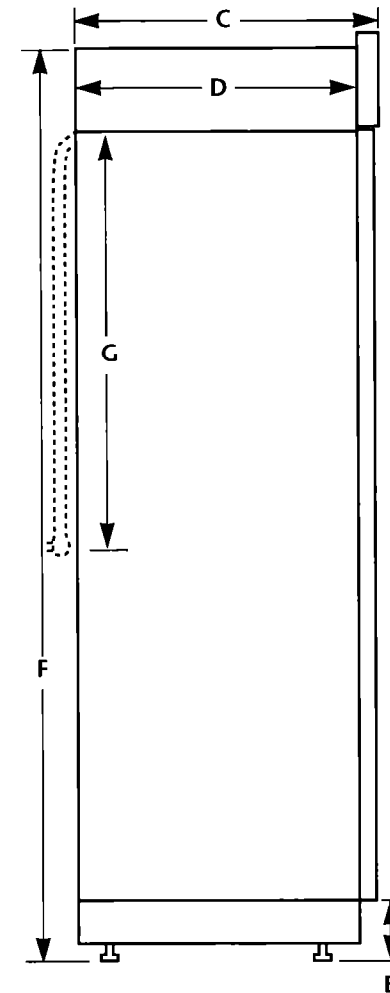
\* Las dimensiones indicadas surten efecto para los niveladores extendidos 1/8 pulg. [3 mm] debajo de los rodillos. Para niveladores extendidos 1-1/4 pulg. [32 mm] debajo de los rodillos, aumentar 1-1/8 pulg. [29 mm] a esta dimensión.

## DIMENSIONES

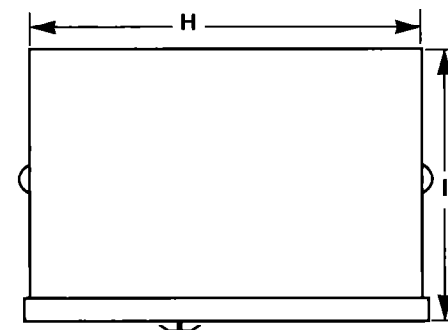
### Vista Frontal



### Vista Lateral



### Vista Superior



#### Nota:

La dimensión "B" puede ser aumentada o disminuida 1/2 pulg. (1,3 cm) usando los Juegos de Rejilla disponibles de su distribuidor.

**Para aumentar:** use el Juego de Rejilla de "84 pulgadas" N° 4378788 (Moldura Plateada) o 4378789 (Moldura Blanca).

**Para disminuir:** use el Juego de Rejilla de "83 pulgadas" N° 4378786 (Moldura Plateada) o 4378787 (Moldura Blanca).

#### Modelos Con Expendedor

	36 pulg (91 cm)	42 pulg (106 cm)	48 pulg (122 cm)
A	36 pulg (91 cm)	42 pulg (106 cm)	48 pulg (122 cm)
B	83-5/8 pulg (212 cm)*	83-5/8 pulg (212 cm)*	83-5/8 pulg (212 cm)*
C	25-1/8 pulg (64 cm)	25-1/8 pulg (64 cm)	25-1/8 pulg (64 cm)
D	23-1/2 pulg (60 cm)	23-1/2 pulg (60 cm)	23-1/2 pulg (60 cm)
E	3-1/2 pulg (9 cm)*	3-1/2 pulg (9 cm)*	3-1/2 pulg (9 cm)*
F	83-1/8 pulg (211 cm)*	83-1/8 pulg (211 cm)*	83-1/8 pulg (211 cm)*
G	24 pulg (61 cm)	24 pulg (61 cm)	24 pulg (61 cm)
H	35 pulg (89 cm)	41 pulg (104 cm)	47 pulg (119 cm)
I	25 pulg (63.5 cm)	25 pulg (63.5 cm)	25 pulg (63.5 cm)



## DIMENSIONES Y REQUERIMIENTOS PARA EMPOTRAR

Todas las dimensiones  $\pm 1/8$  pulg. [3 mm]

### **⚠️ ADVERTENCIA**

#### Peligro de heridas/Daños a la propiedad

Se debe poner atención en todo momento para evitar que el refrigerador se incline, puesto que la parte superior soporta la mayor parte del peso.

un sofito o dos de 2 pulg. x 4 pulg. x 32 pulg. [5 cm x 10 cm x 81 cm] de madera sólida para cubrir el ancho de la tapa del compresor para prevenir inclinación durante el uso.

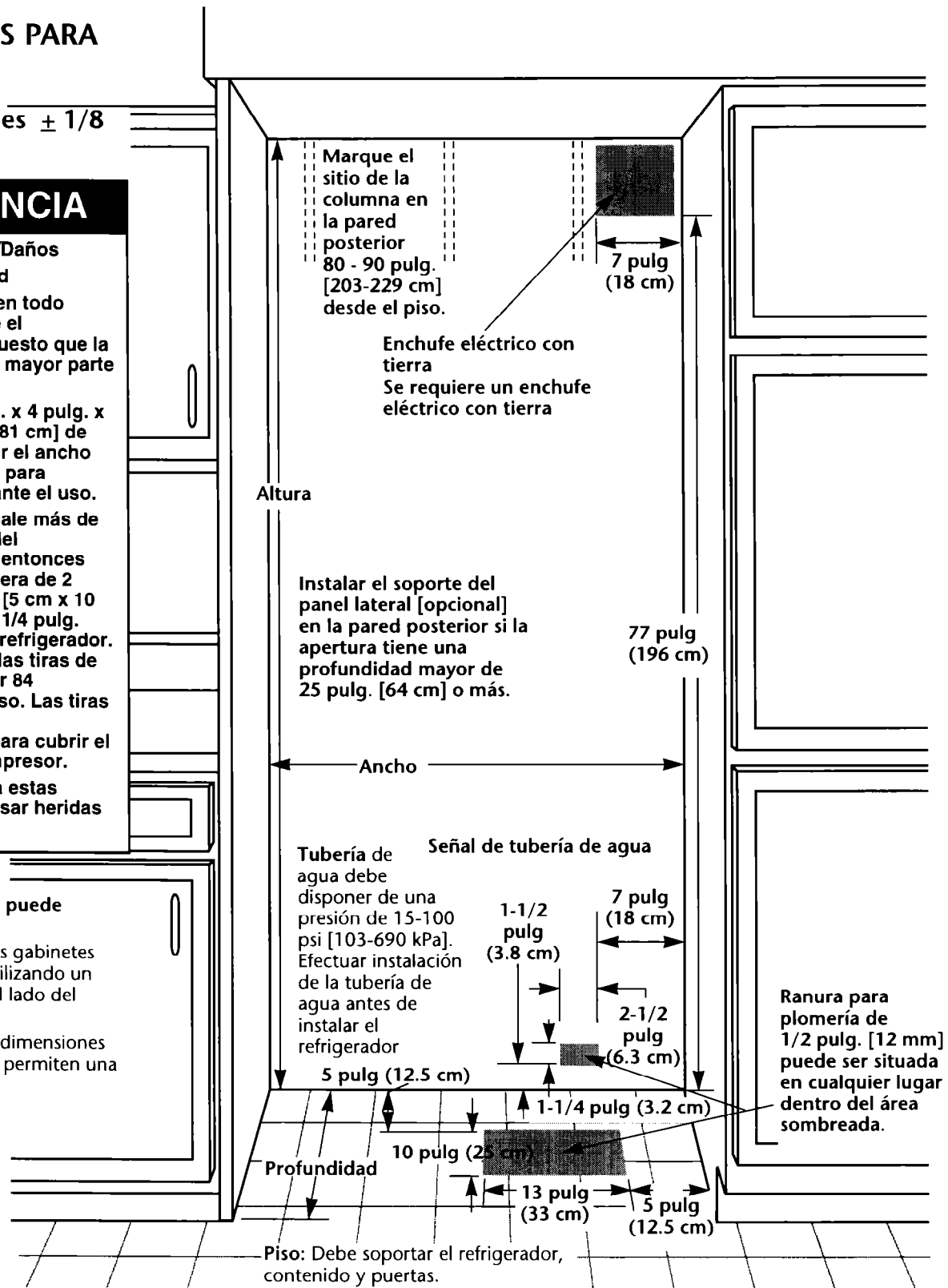
Si el sofito sólido sobresale más de 1 pulg. [2.5 cm] encima del refrigerador, se requiere entonces instalar dos tiras de madera de 2 pulg. x 4 pulg. x 32 pulg. [5 cm x 10 cm x 81 cm] en la pared, 1/4 pulg. [6 mm] sobre la tapa del refrigerador. La superficie inferior de las tiras de madera debe permanecer 84 pulgadas [213 cm] del piso. Las tiras de madera deben ser lo suficientemente largos para cubrir el ancho de la tapa del compresor.

La falta de observancia a estas instrucciones puede causar heridas o daños a la propiedad.

El refrigerador empotrado puede instalarse:

- dentro de la cavidad de los gabinetes
- al final de los gabinetes utilizando un panel lateral para cubrir el lado del refrigerador.

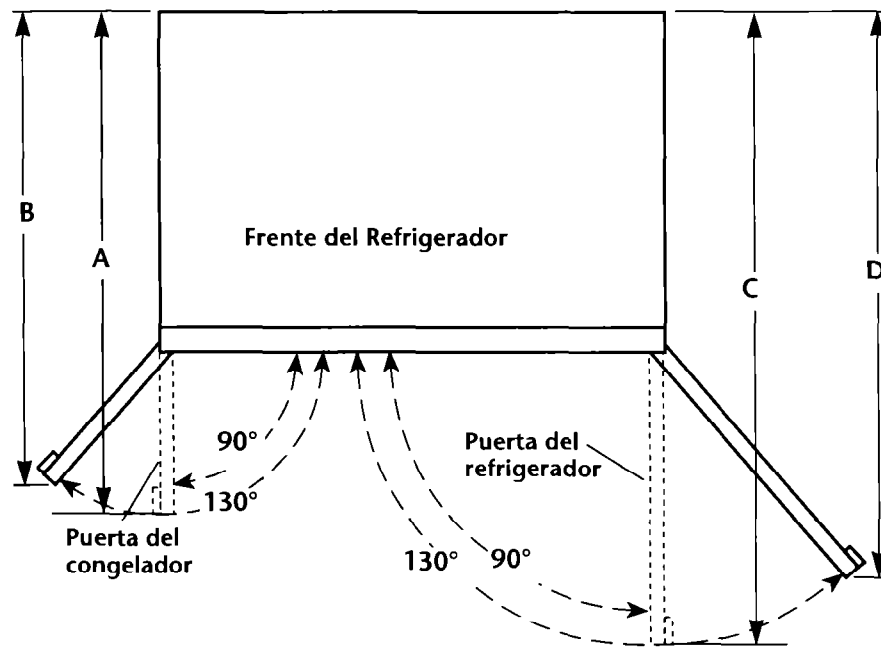
Elija un método y utilice las dimensiones adjuntas. Estas dimensiones permiten una área libre de 0 pulg. [0 cm].



### Dimensiones de apertura

Modelo	36 pulg (91 cm)	42 pulg (106 cm)	48 pulg (122 cm)
Ancho min.	35-1/2 pulg (90 cm)	41-1/2 pulg (105 cm)	47-1/2 pulg (120 cm)
Altura min.	83-1/4 pulg (211.5 cm)	83-1/4 pulg (211.5 cm)	83-1/4 pulg (211.5 cm)
Altura max.	84-3/4 pulg (215 cm)	84-3/4 pulg (215 cm)	84-3/4 pulg (215 cm)
Profundidad min.	23-1/2 pulg (60 cm)	23-1/2 pulg (60 cm)	23-1/2 pulg (60 cm)

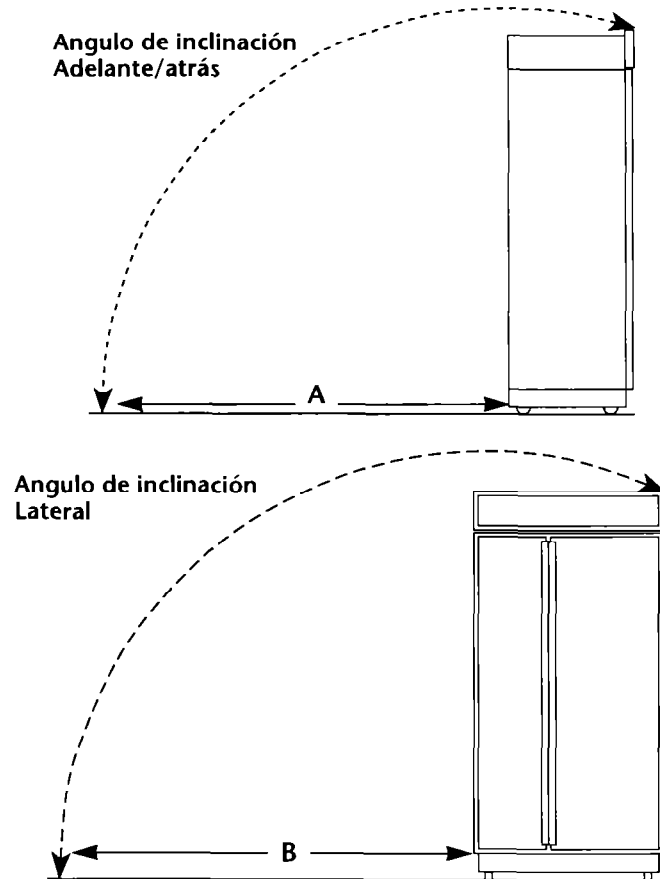
## Dimensión de Puertas



	36 pulg 91 cm	42 pulg 106 cm	48 pulg 122 cm
A	38-1/2 pulg (98 cm)	41 pulg (104 cm)	43-1/2 pulg (110 cm)
B	36-1/16 pulg (92 cm)	38 pulg (97 cm)	40 pulg (102 cm)
C	43-1/2 pulg (110 cm)	47 pulg (119 cm)	50-1/2 pulg (128 cm)
D	40 pulg (102 cm)	42-9/16 pulg (108 cm)	45-1/4 pulg (115 cm)

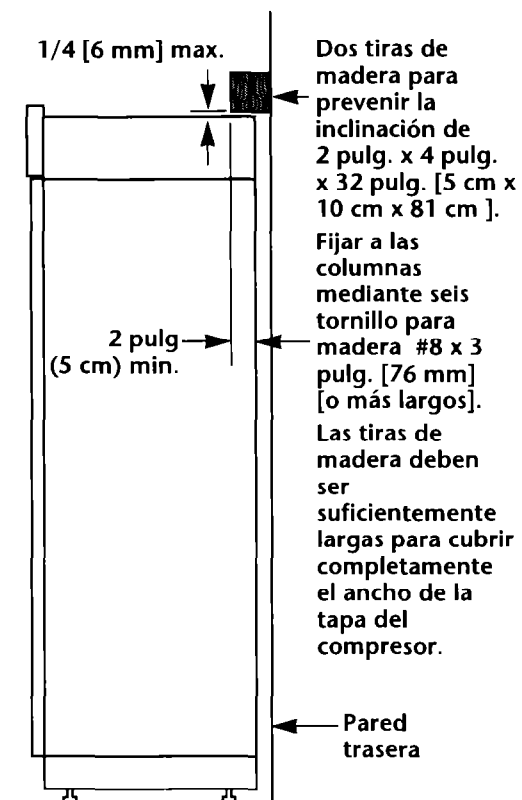
La instalación permanente debe permitir un ángulo de apertura para las puertas de mínimo 90°. Dejar un espacio mínimo de 1 pulg. [2.5 cm] entre la pared lateral del refrigerador y la pared esquinera.

## Angulo de inclinación



Dimensión	A	B
36 pulg (91 cm)	87-1/4 pulg (222 cm)	90-1/2 pulg (230 cm)
42 pulg (106 cm)	87-1/4 pulg (222 cm)	93 pulg (236 cm)
48 pulg (122 cm)	87-1/4 pulg (222 cm)	96 pulg (244 cm)

## Preventivo de inclinación



Si se coloca las tiras de madera antes de instalar el refrigerador, sitúe las tiras de tal manera que la superficie inferior de las mismas se encuentren a 84 pulg. [213 cm] desde el piso. Durante el proceso de instalación, levante el refrigerador hasta dejar un espacio máximo de 1/4 pulg. [6 mm] entre la parte superior del refrigerador y la superficie inferior de las tiras de madera.

Si se encuentra un **sofite sólido de 1 pulg. [2.5 cm] sobre el refrigerador**, no se requiere tiras de madera para prevenir la inclinación del refrigerador.

Si **no existe un sofite sólido, o si el sofite es mayor a 1 pulg. [2.5 cm] sobre la cubierta**, centre las tiras de madera en la pared trasera a 1/4 pulg. [6 mm] máximo sobre el refrigerador. Fije las tiras a las columnas de la pared mediante tornillos para madera, verificando que los tornillos se encuentran dentro de las columnas por lo menos 1-1/2 pulg. [3.8 cm], y que las tiras de madera sobrepasan por lo menos 2 pulg. [5 cm] sobre la sección superior del área posterior de la cubierta del compresor del refrigerador.



# Piezas que deben ser adquiridas por separado o fabricadas a medida

## 1. Juegos de Paneles

Su distribuidor KitchenAid dispone de cuatro juegos de paneles acrílicos a color o acero inoxidable para puertas y la rejilla

superior. Siga los pasos indicados en las instrucciones de los paneles su instalación.

### Número del juego de paneles

Modelo	Sin expendedor			Con expendedor		
Tamaño	36 pulg (91 cm)	42 pulg (106 cm)	48 pulg (122 cm)	36 pulg (91 cm)	42 pulg (106 cm)	48 pulg (122 cm)
Blanco	4318635	4318636	4318637	4378650	4378651	4378652
Negro	4318632	4318633	4318634	4378653	4378654	4378655
Almendra	4318638	4318639	4318640	4378656	4378657	4378658
Acero Inoxidable	4318641	4318642	4318643	4378659	4378660	4378661

## 2. Paneles a medida

### Daño al producto

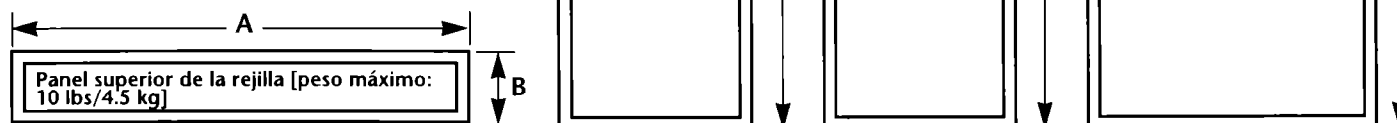
El peso de los paneles fabricados a medida NO DEBE EXCEDER los pesos indicados.

El sobrepeso de los paneles puede causar daños al producto.

NOTA: Las dimensiones indicadas permiten una tolerancia de + 1/16 pulg. [1.5 mm]. Paneles de más de 1/4 pulg. [6 mm] deben tupirse. Si se utiliza paneles tupidos, aumente 1/16 pulg. [1.5 cm] a las dimensiones indicadas.

Si los paneles son de un grosor inferior a 1/4 pulg. [6 mm], instale un panel de relleno entre las puertas y los paneles decorativos.

Si los paneles son de un grosor mayor a 1/4 pulg. [6 mm], pase el tupí sobre los filos del panel, en todos sus lados.

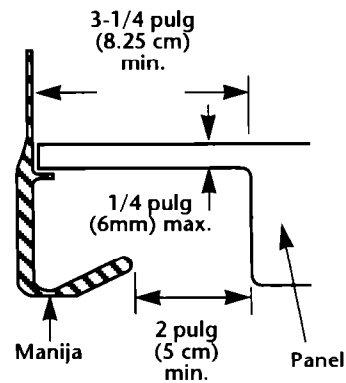


Tamaño	A	B	C	D	E	F	G	H	I
36 pulg (91 cm)	32-3/8 pulg (82 cm)	6 pulg (15 cm)	14-1/4 pulg (36 cm)	23-7/16 pulg (60 cm)	34-7/16 pulg (87 cm)	14-1/4 pulg (36 cm)	70-7/16 pulg (179 cm)	19-1/4 pulg (49 cm)	70-7/16 pulg (179 cm)
42 pulg (106 cm)	38-3/8 pulg (97 cm)	6 pulg (15 cm)	16-3/4 pulg (43 cm)	23-7/16 pulg (60 cm)	34-7/16 pulg (87 cm)	16-3/4 pulg (43 cm)	70-7/16 pulg (179 cm)	22-3/4 pulg (58 cm)	70-7/16 pulg (179 cm)
48 pulg (122 cm)	44-3/8 pulg (113 cm)	6 pulg (15 cm)	19-1/4 pulg (49 cm)	23-7/16 pulg (60 cm)	34-7/16 pulg (87 cm)	19-1/4 pulg (49 cm)	70-7/16 pulg (179 cm)	26-1/4 pulg (67 cm)	70-7/16 pulg (179 cm)

\* La dimensión "B" aumentará o disminuirá 1/2 pulgada (1,3 cm) si se usan los juegos de rejillas indicados en la página 2.

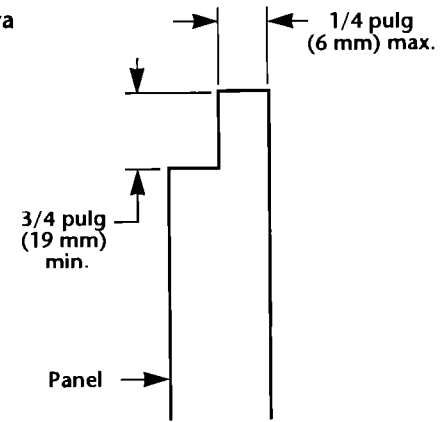
### Corte del filo del panel lado de la manija

Paneles a medida con un grosor mayor a 1/4 pulg. [6 mm]:  
 Pasar el tupí sobre la totalidad del largo o sobre áreas específicas de los paneles del lado de la manija  
 3-1/4 pulg. [8.25 cm]



Dimensiones para tupir los filos del panel

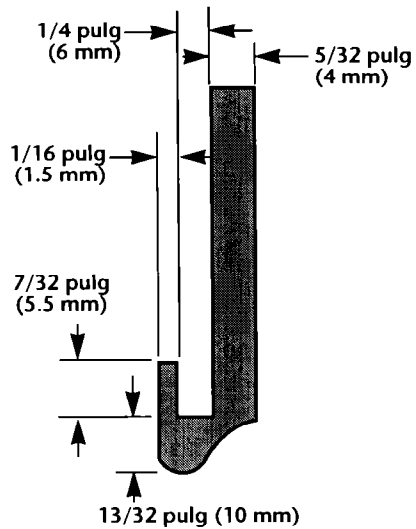
### Corte lateral



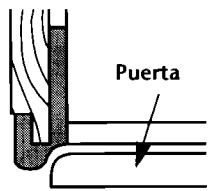
## 3. Paneles laterales

Si el panel lateral se instala dentro de la moldura lateral y si el panel tiene un grosor mayor a 1/4 pulg. [6 mm], pase el tupí sobre el filo frontal del panel para fijar la moldura.

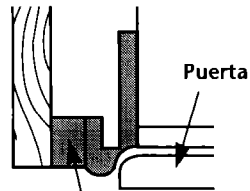
### Corte del filo del panel lateral



Moldura interior del panel lateral



Moldura exterior del panel lateral

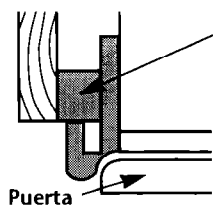


Puerta

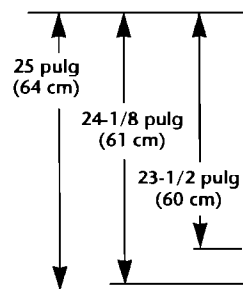
Puerta

Tira de soporte

Moldura exterior ahuecada del panel lateral



Puerta

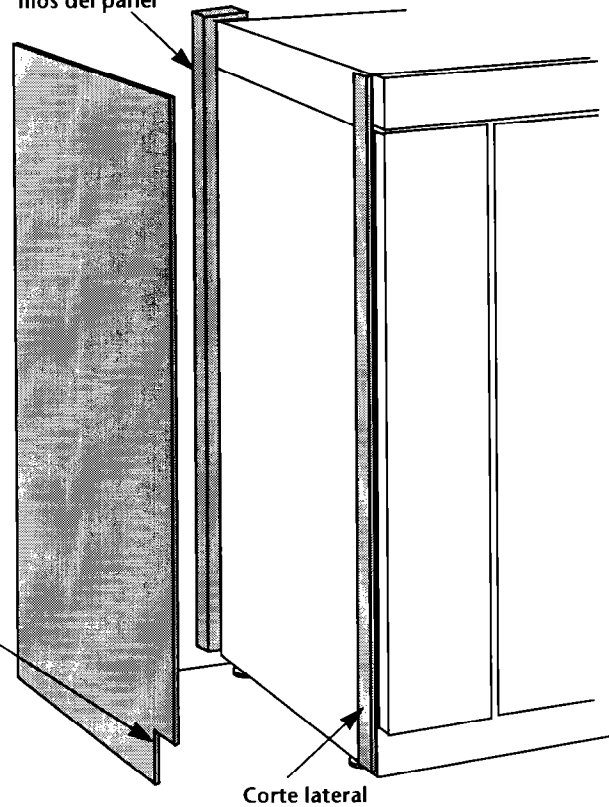


Ancho y altura depende del tipo de instalación

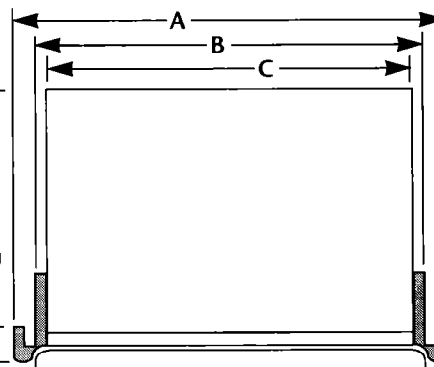
Grosor 1/2 pulg [12 mm] mínimo para prevenir deformidades

Ranura para el listón del zócalo [si se desea]  
 Determinar la altura antes de efectuar los cortes

Dimensiones para tupir los filos del panel



Corte lateral



Modelo	36 pulg (91 cm)	42 pulg (106 cm)	48 pulg (122 cm)
A	36 pulg (91 cm)	42 pulg (106 cm)	48 pulg (122 cm)
B	35-1/2 pulg (90 cm)	41-1/2 pulg (105 cm)	47-1/2 pulg (120 cm)
C	35 pulg (89 cm)	41 pulg (104 cm)	47 pulg (119 cm)

# Conexiones de Aqua y Energía Eléctrica

## Conexiones Eléctricas

### ⚠️ ADVERTENCIA



#### Riesgo de Choque Eléctrico

Este artefacto debe ser puesto a tierra.

No poner a tierra en una tubería del gas.

No modifique el enchufe del cordón eléctrico. Si no calza en el tomacorriente, haga instalar un tomacorriente apropiado por un electricista calificado.

No use un fusible en el circuito de puesta a tierra o neutro.

No use un cordón de extensión.

Consulte con un electricista calificado para asegurarse de que este artefacto esté debidamente puesto a tierra.

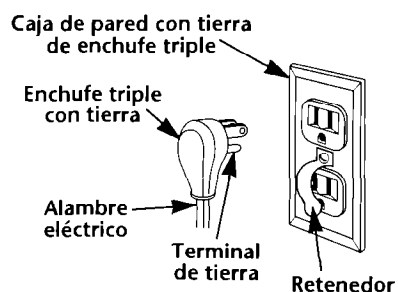
Es responsabilidad del cliente:

Ponerse en contacto con un electricista calificado.

Asegurarse de que la instalación eléctrica sea adecuada y de acuerdo con la última edición\*\* ANSI/NFPA 70 del Código Nacional de Electricidad o con el Código de Electricidad Canadiense, C22.1-1982 y C22.2 No. 01982 (o la última edición)\* y con todos los códigos y reglamentos locales.

El incumplimiento de estas instrucciones puede ocasionar la muerte o choque eléctrico.

Si las normas lo permiten, y si se utiliza un cable separado como tierra, se recomienda que un electricista calificado determine la conexión de tierra correcta.



Se requiere una fuente eléctrica de 120 voltios, 60 Hz, CA solamente, con fusible de 15 o 20 amperios. Un fusible de tiempo diferido es recomendable. Es también recomendable que un circuito separado sea provisto para este artefacto.

Este artefacto está equipado con un cordón para corriente con enchufe de tres puntas para puesta a tierra. Para minimizar el peligro de choque eléctrico, el cordón debe estar enchufado a un receptáculo de pared puesto a tierra, de acuerdo con el Código Nacional de Electricidad, ANSI/NFA 70 — última edición \*, y todos los códigos y ordenanzas locales.

Copias del estándar listado pueden ser obtenidos en:

\* Canadian Standard Association  
178 Rexdale Boulevard  
Etobicoke, Ontario M9W 1R3

\*\* National Fire Protection Association  
Batterymarch Park  
Quincy, Massachusetts 02269

## Requerimiento para el Suministro de Agua

### ⚠️ ADVERTENCIA



#### Riesgo de Choque Eléctrico

Puede quedar agua en la tubería.

El taladro eléctrico debe ser puesto a tierra para evitar choque grave o letal si hay agua en la tubería y ésta entra al taladro durante el uso.

El incumplimiento de esta advertencia puede causar la muerte o choque eléctrico.

Use solamente tubería de cobre para suministro de agua de 1/4" (6mm)

- No use tubería de cobre en zonas donde la temperatura sea menor que 32°F (0°)
- Antes de unir la tubería de cobre al refrigerador, haga correr por lo menos 2 cuartos (1.9L) de agua por la tubería de cobre a un balde para limpiar la impurezas en la tubería de agua.
- No ajuste en forma excesiva la abrazadera o casquillo. Esto puede machacar la tubería.
- Controle que no haya pérdidas alrededor de la montura de la válvula.

La tubería de suministro de agua al refrigerador debe proveer 15-100 psi (103 - 690 kPa) de presión.

Para calcular la longitud de tubería de cobre de D.E. 1/4" (6mm) necesitada:

1. Localice la tubería vertical de agua fría de 1/2" (1.2cm) o 1-1/4" (3.2cm) mas cerca del refrigerador. Una tubería horizontal de agua fría puede ser usada, si se sigue con cuidado las direcciones en el paso 4.

2. Mida la distancia de la tubería de agua fría al refrigerador. Agregue 24" (61cm) a esta medida.

**Para pre-instalar la entrada de agua :**

3. Cierre el suministro de agua. Abra el grifo mas cercano durante el tiempo suficiente para vaciar la tubería de agua.

4. **Tubería de agua fría vertical:** Use un taladro eléctrico puesto a tierra, o un taladro de mano para hacer una perforación de 3/16" (4.5mm), en un lugar fácilmente accesible de la tubería.

**Tubería de agua fría horizontal:** Use un taladro eléctrico puesto a tierra, o un taladro de mano para hacer una perforación de 3/16" (4.5mm) en la parte superior de la tubería de agua. Esto es para prevenir que el sedimento se junte en la válvula.

5. Coloque la arandela sobre el agujero en la tubería de agua. Gire el vástago de la válvula en el sentido de las agujas del reloj para exponer la lanceta perforadora a un máximo de 3/16" (4.5mm). Coloque en línea la lanceta de perforación con el agujero en la tubería.

Coloque las dos mitades de la montura de la válvula en la tubería de agua. Gire el vástago de la válvula en el sentido de las agujas del reloj hasta que la lanceta de perforación entre en el agujero de la tubería y quede firmemente asentada. La válvula de la montura no está en la posición cerrada. Apriete la tuerca de la

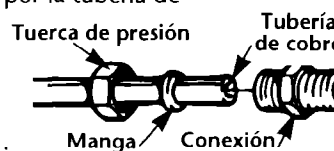
empaquetadura en forma pareja y firmemente apriete los tornillos del soporte, para que la arandela forme una conexión contra pérdidas. **No apriete demasiado los tornillos; la tubería de cobre puede resultar machacada.**

6. Controle que ambas terminaciones de la tubería de cobre estén cortadas en escuadra. Deslice la tuerca de presión y casquillo en la tubería de cobre. Inserte la terminación de la tubería de cobre completamente en la válvula de salida. Apriete la tuerca de presión con una llave ajustable. **No apriete demasiado.**

7. Abra el suministro de agua. Controle que no haya pérdida. Gire el vástago de la válvula en el sentido contrario de las agujas del reloj y haga correr el agua por la tubería de cobre a un balde. Gire el vástago de la válvula en el sentido de las agujas del reloj para cerrar el agua.

8. Guíe la tubería de cobre al área del refrigerador.

9. Deslice la tuerca de presión y casquillo en la tubería de agua. Conecte la unión a la tuerca de presión y casquillo y ajuste. **No apriete demasiado.**



# Pasos para la Instalación

## Partes suministradas para la instalación:

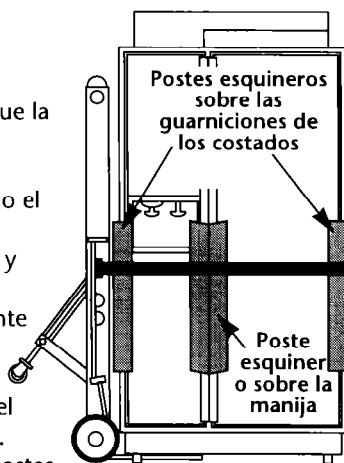
- rejilla de la base
  - bolsa con partes varias
- Verifique que todas las partes fueron incluidas.

Para evitar daño al refrigerador o al revestimiento del piso:

- **NO** haga descender el refrigerador contra la base de embarque cuando esté sacando la base de embarque.
- **NO** saque la película protectora hasta que el refrigerador no esté en su posición de funcionamiento.
- Las cuatro patas niveladoras deben tocar el piso para soportar y estabilizar el peso total del refrigerador.
- Conserve el cartón o la madera prensada de embarque debajo del refrigerador hasta que haya sido instalado en su lugar definitivo a fin de proteger el revestimiento del piso.

**1.** Remueva y guarde el paquete con literatura y la bolsa de partes pegada a la puerta del refrigerador. Remueva los cuatro soportes (dos a cada lado) que sujetan la base del embalaje a la parte de abajo del refrigerador. **No remueva la cinta ni el anclaje de la puerta hasta que el producto se encuentre asegurado en su posición final. Ver página 3.**

**2.** Coloque la carretilla de ruedas para aparatos bajo el lado del refrigerador y envuelva holgadamente la correa de la carretilla alrededor del refrigerador. Inserte los postes esquineros de cartón entre la correa y el refrigerador en las guarniciones de los costados y en las manijas. Cuidadosamente apriete la correa asegurándose que las guarniciones de los lados y las manijas están protegidas.



## ⚠️ ADVERTENCIA

### Peligro de Lesiones Personales

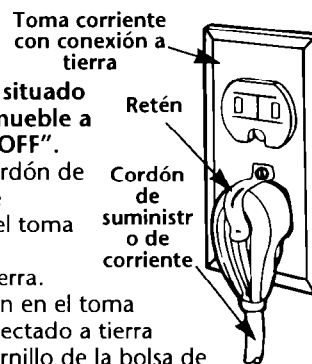
Debido al peso y tamaño del refrigerador, se requiere de dos o más personas para su instalación. La mayor parte del peso del refrigerador se encuentra en la parte de arriba. Cuando se mueve el refrigerador es necesario tener un cuidado extra para prevenir que se vuelque.

El incumplimiento de estas instrucciones puede traer como consecuencia lesiones corporales.

**3.** Coloque secciones del cartón de embalaje en el piso cuando ruede la carretilla y el refrigerador dentro de la casa. Mueva el refrigerador cerca de la abertura empotrada.

**4.** Coloque el interruptor de corriente situado encima del mueble a la posición "OFF".

Enchufe el cordón de suministro de corriente en el toma corriente con conexión a tierra. Instale el retén en el toma corriente conectado a tierra usando un tornillo de la bolsa de partes.

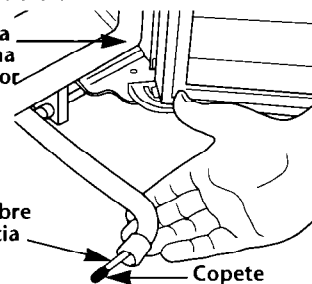


**5.** Coloque la parte de arriba del embalaje de cartón o de madera laminada debajo del refrigerador. Remueva la carretilla. Abra las puertas del artefacto y remueva todas las cajas, paquetes con partes y material de empaque de los compartimientos del refrigerador y de la nevera. No remueva la película protectora. Mueva el refrigerador directamente hacia atrás en forma pareja dentro de la abertura. Verifique que:

- la tubería de cobre no está retorcida
- que el cordón de suministro de corriente se encuentra encima del refrigerador cerca a la cubierta.

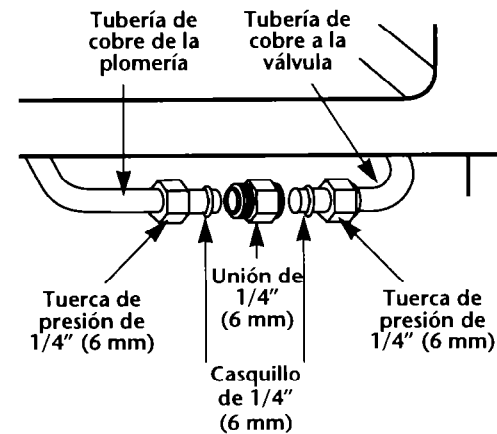
Baje la esquina frontal derecha del refrigerador

Tubería de cobre para agua hacia la válvula



Verifique que la tubería de suministro de agua ha sido enjugada. Ver página 7.

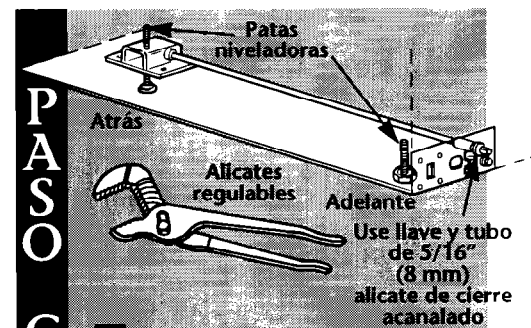
**6.** Saque hacia adelante la tubería de cobre de la válvula de agua del refrigerador y la tubería de cobre de la plomería de debajo del refrigerador.



Deslice una tuerca de presión y un casquillo en el extremo abierto de cada tubería de cobre. Use una unión de tubería de cobre para conectar ambas tuberías de cobre.

**No sobreajuste.**

Abra la válvula de suministro de agua a la posición "OPEN". Ponga el interruptor del refrigerador en la posición "ON". Espere unos minutos. Verifique que no haya goteo en la conexión de la tubería de agua o en la válvula de agua encima del mueble. Sin torcer la tubería, colóquela nuevamente con cuidado debajo del mueble.



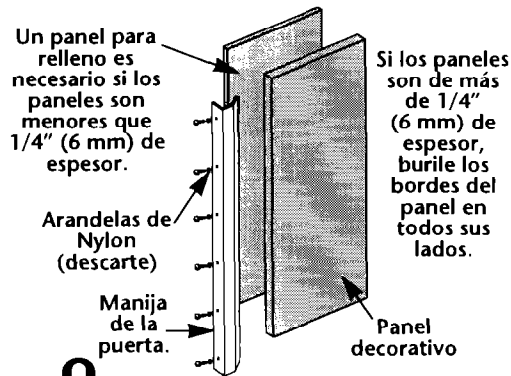
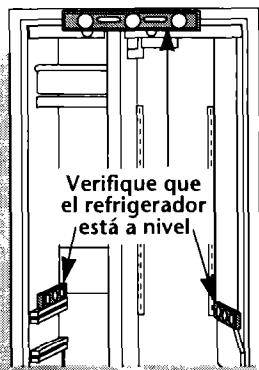
**7.** Gire las varillas de nivelación al sentido del reloj usando una llave y tubo de 5/16" (8 mm) hasta que el mueble esté soportado por las patas traseras. Baje las patas niveladoras frontales usando un alicate de cierre acanalado hasta que el peso del mueble caiga sobre las patas.

**Nota:** Todas las cuatro patas niveladoras deben de estar en contacto con el piso para soportar y estabilizar todo el peso del refrigerador. No utilice rodillos para soportar el refrigerador.

**8.**

Abra las puertas. Coloque un nivel contra la parte de atrás de la guarnición de la puerta, en la guía de la gaveta de

hortalizas y en la guía de la canasta de la nevera tal como se muestra. Ajuste las patas niveladoras de adelante y las varillas niveladoras de la derecha e izquierda de la parte de atrás hasta que el refrigerador esté a nivel y a la altura apropiada de la abertura. Verifique que las cuatro patas niveladoras hacen contacto con el piso y soportan todo el peso del refrigerador. Las puertas deben de estar instaladas cuando se hace la nivelación.

**9.**

Remueva todas las cintas y los anclajes para puertas de las puertas del refrigerador y de la nevera. Descarte las arandelas de nylon de debajo de los tornillos. Deslice los paneles decorativos dentro de los marcos de las puertas.

Si los paneles son menores que 1/4" (6 mm) de espesor, instale un panel de relleno entre la puerta y el panel decorativo.

Si los paneles son de más de 1/4" (6 mm) de espesor, burile los bordes del panel en todos sus lados.

**10.**

Verifique que tanto las puertas del refrigerador como las de la nevera están alineadas y a nivel. Si es necesario ajustar las puertas hacia adentro o afuera, o hacia la derecha o izquierda, afloje los tornillos de cabeza hexagonal de 3/8" (9 mm) en las bisagras de arriba. Si es necesario ajustar las puertas hacia arriba o abajo, afloje los tornillos de cabeza hexagonal de 3/8" (9 mm) en las bisagras de arriba. Ajuste las puertas. Apriete los tornillos. Verifique que las puertas están alineadas y a nivel.

**11.**

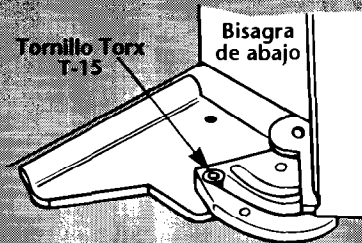
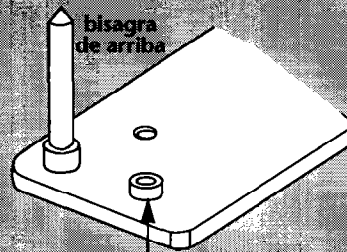
Reemplace las manijas de la puerta. Verifique que en la parte superior ambas manijas están alineadas.

Si las manijas no están alineadas, afloje todos los tornillos de las manijas y ajústelas hacia arriba o hacia abajo. Apriete los tornillos. Si alguno de los tornillos de la puerta blanca ha sido dañado, reemplácelo con otro del paquete de partes.

**12.**

Verifique que las puertas se abren holgadamente. Si fuese necesario ajuste el vaivén de la puerta de la siguiente forma:

Retire la rejilla superior removiendo cuatro tornillos de 1/4" (6 mm) localizados detrás del conjunto del panel decorativo.

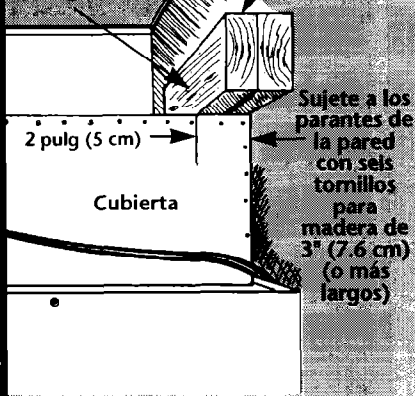


Remueva el conjunto de tornillos de tope de puerta localizados en las bisagras de arriba y de abajo usando una llave Torx T-15.

Sostenga la puerta en la posición deseada y reemplace el conjunto de tornillos. Si la puerta no despeja el mostrador después de que los topes para las puertas han sido ajustados, los mostradores necesitan ser biselados.

Centre la tabla a 1/4" (6 mm) como máximo encima del refrigerador.

Dos tablas antivuelcos de madera de 2" x 4" x 32" (5 cm x 10 cm x 81 cm)

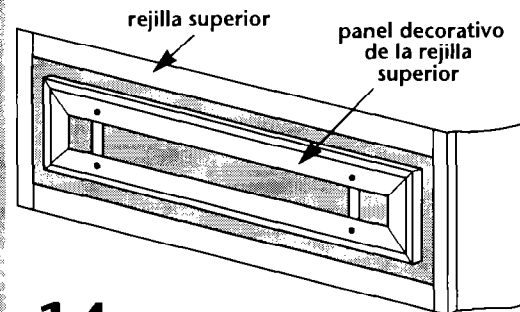


Las tablas deben de ser lo suficiente largas para cubrir completamente la cubierta del compresor.

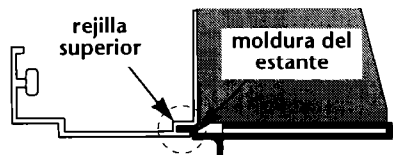
**13.**

Si techo sólido está a 1 pulgada (2.5 cm) por encima del refrigerador, las tablas de madera antivuelcos no son necesarias.

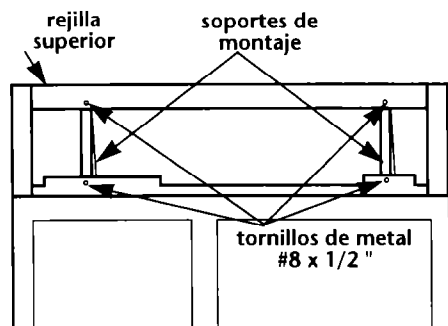
Si techo sólido no existe o está a más de 1 pulgada (2.5 cm) por encima del refrigerador, localice los parantes de la pared en la abertura para el refrigerador. Centre una tabla de madera en la pared de atrás máximo 1/2" (6 mm) encima del refrigerador. Sujete la tabla de madera a los parantes de la pared utilizando tornillos para madera - asegurando que los tornillos se introduzcan como mínimo 1 1/2" (3.8 cm) en los parantes. Sujete una segunda tabla de madera al frente de la primera tabla. Las tablas de madera deben de extenderse como mínimo 2 pulgadas (5 cm) sobre la parte posterior de arriba de la cubierta del compresor del refrigerador.

**14.**

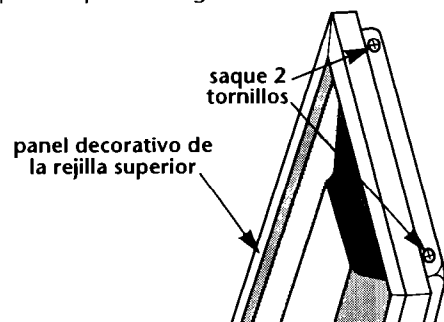
Saque la rejilla superior y los cuatro tornillos de metal #8 x 1/2" de la caja de cartón. Deslice el panel decorativo hacia arriba para sacarlo de la rejilla superior.



**15.** Traslape la moldura inferior de la rejilla superior con la moldura de la parte superior del gabinete.



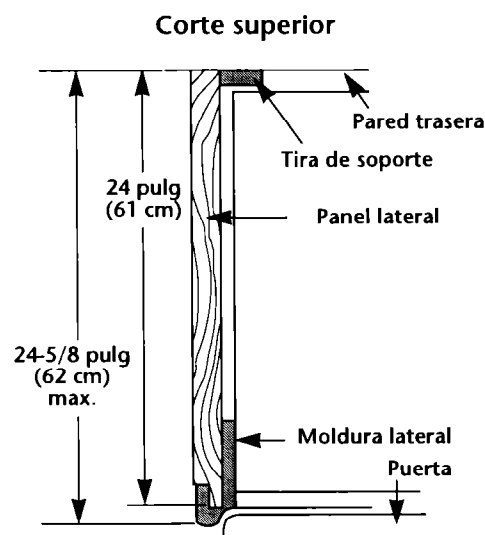
**16.** Use los cuatro tornillos de metal para instalar la rejilla superior a los soportes de montaje situados en la parte superior del gabinete.



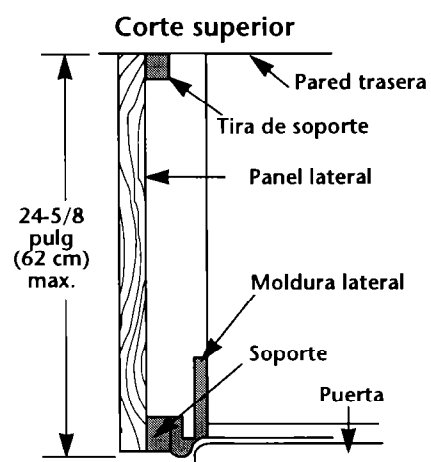
**17.** Saque los tornillos y moldura lateral de un lado del panel decorativo. Inserte su panel. Vuelva a instalar la moldura lateral y los tornillos.

**18.** Deslice el panel decorativo hacia abajo para instalarlo en la rejilla superior.

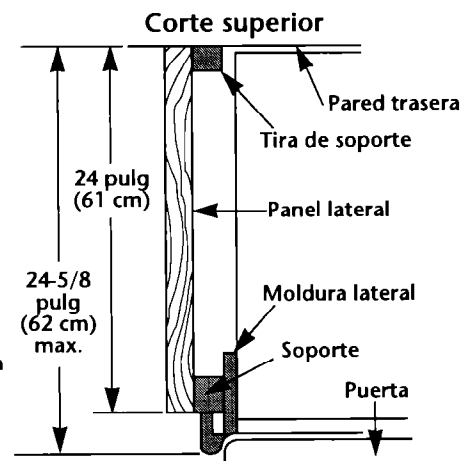
**19.** Si no utiliza paneles laterales, vaya al paso 20. Si la profundidad del área construida es 25 pulg. [63.5 cm] o más, los paneles laterales pueden instalarse dentro de la moldura lateral o conectados al exterior de la moldura lateral:



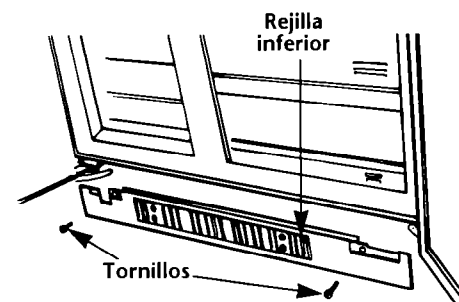
• Interior de moldura lateral: Deslice el filo frontal del lado pasado con el tupí del panel dentro de la moldura. Clave el filo posterior del panel a la tira de soporte.



• Exterior de moldura lateral: Perfore 6 agujeros espaciados equitativamente en la moldura lateral. **No perfore el electrodoméstico.** Conecte una tira de soporte a la moldura. Clave los filos frontales y posteriores del panel lateral para apoyo de las tiras. Cubra la tira de apoyo frontal con un panel similar.



Si la profundidad del área construida es menor de 25 pulg. [63.5 cm], complete la instalación del panel lateral de acuerdo a las restricciones del sitio. [Un método es de instalar una tira clavada de apoyo en la pared trasera del la apertura del área construida. Perfore agujeros en un lado de la moldura. Luego junte el soporte de madera a la moldura. Conecte el panel lateral al soporte de madera y soporte clavado. Cubra el soporte de madera con un panel similar]



**20.** Abra la puerta de la unidad y remueva la película protectora del marco de la puerta. Vuelva a verificar que no existe fugas de las conexiones de agua en la parte inferior del refrigerador.

Instale la rejilla inferior al gabinete por medio de dos tornillos. Instale las repisas y cajones en el refrigerador y congelador.

**21.** Ajuste los controles de temperatura del refrigerador y congelador al punto medio entre "COLD" [FRIO] Y "COLDEST" [MUY FRIO]. Verifique que el compresor se encuentra funcionando correctamente, al igual que las cinco luces.

Para obtener el uso más eficiente de su refrigerador empotrado, lea el manual de funcionamiento y mantenimiento KitchenAid. Guarde sus manuales cerca al refrigerador en caso de necesidad.